

Encompass™

MODEL JCR-0W



APPLICATION

Encompass™ is an extended range revenue metering current transformer. Model JCR-0W is designed for both indoor and outdoor service. Suitable for operating meters and instruments, on both single-phase two-wire circuits and polyphase circuits.

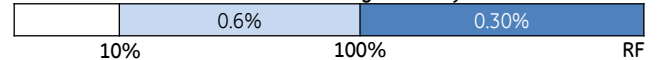
FEATURES

- Voltage Class: 0.6kV
- Frequency: 50-60Hz
- Window Size: 2.0"
- Insulation Level: 10kV BIL
- Application: Indoor

BENEFITS

- Light load test points extended beyond IEEE requirements plus high rating factors allow for one Encompass unit to functionally replace multiple standard ratios
- Simplify CT selection and billing multipliers, improving productivity and minimizing risk of error
- Reduce inventory and part number requirements, reducing asset and operational costs

0.3 Class – Standard Revenue Metering Accuracy



GE Encompass™

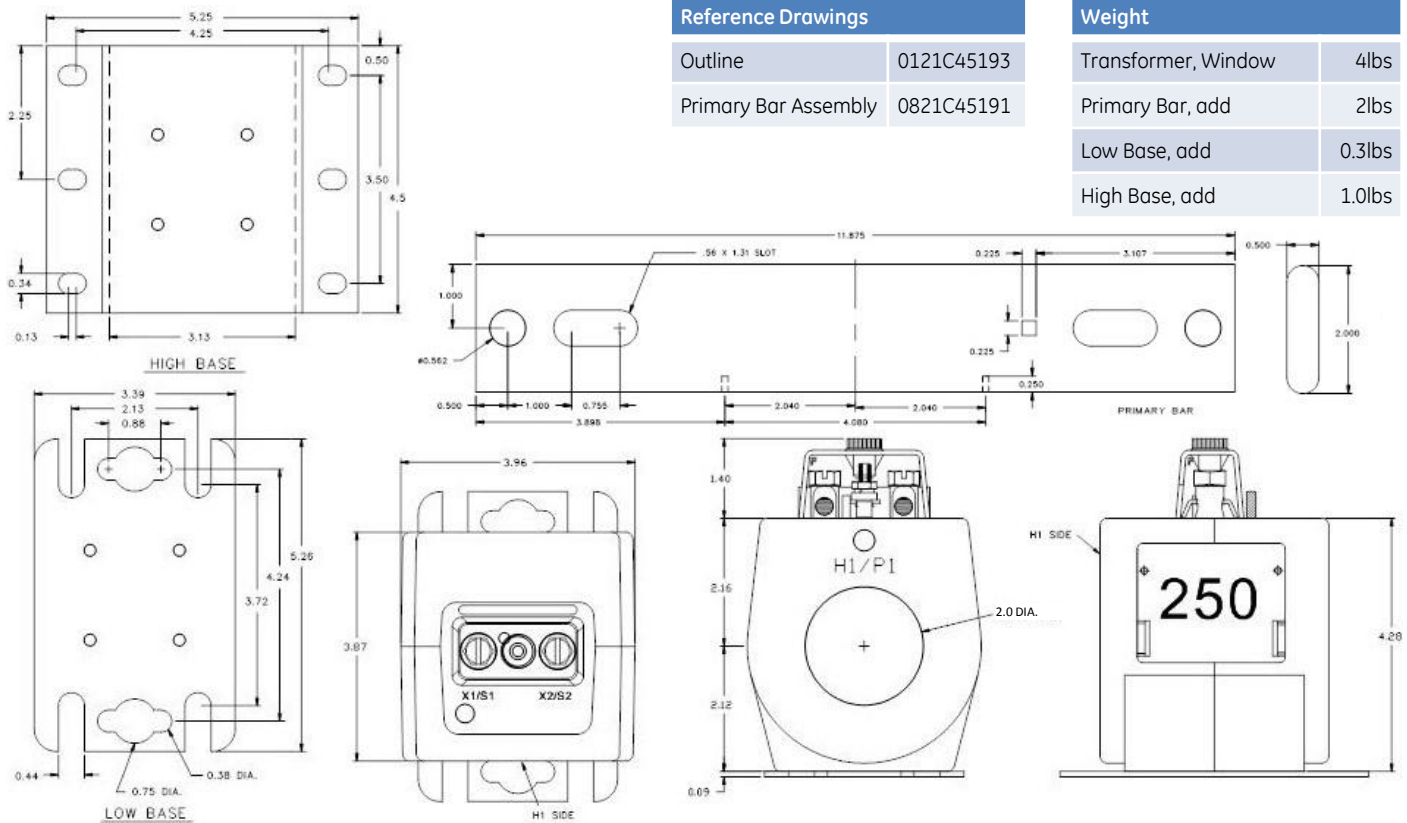


UNIT SELECTION

Current Ratio (Amps)	IEEE Metering Accuracy (60Hz)	Rating Factor		Primary Bar	Catalog Number		
		30°C	55°C		No Base	Low Base	High Base
250:5	0.3 B0.5 ¹	4.0	3.0	No	750x134608	750x134609	750x134610
250:5	0.3 B0.5 ¹	4.0	3.0	Yes	750x134627	750x134618	750x134646

⁽¹⁾ Exceeds IEEE definition for standard revenue metering accuracy. Maintains 0.6 Accuracy Class from 4% to 40% of rated current and 0.3 Accuracy Class from 40% through Rating Factor.
⁽²⁾ Other designs available, upon request. Contact GE for more details.

WEIGHT & DIMENSIONS



CONSTRUCTION DETAILS

Construction and Insulation

The core and coil are enclosed in a case molded with GE Valox thermoplastic polyester resin. This tough material has excellent electrical and mechanical properties over a wide temperature range, has low water absorption and is resistant to oil and a variety of chemicals.

Core and Coils

The core is made from high quality grain oriented silicon steel, annealed under rigidly controlled factory conditions. The secondary winding is made of heavy enameled copper wire. The secondary windings are evenly distributed around the core for maximum accuracy and resistance to stray fields from adjacent conductors.

Terminals

Secondary terminals are tin plated brass, compression type with a 0.275" diameter cross-hole for wiring and a 1/4-28 clamp screw. A shorting device is provided and interlocked to the terminal cover. The terminal cover is made of a clear plastic. Provision is made for sealing the cover.

Nameplates

The nameplate is laser engraved aluminum. It is attached to the top of the unit and has provision for attaching the user's identifying tag. The nominal current rating is marked on the side of the unit in large numerals.

Maintenance

These transformers require no maintenance, other than occasional cleaning, if installed where air contamination is severe.

Primary Window

The window has ample size to accommodate cables of current-carrying capacity equal to or greater than the transformer's thermal current rating. A 11.875" x 2" x 0.5" removable, solid copper bar, tin-plated primary bar is available as an option.

Polarity

The H1 polarity mark is molded into the case, above the window at one end. The X1 polarity mark is also molded into the case adjacent to the secondary terminal. Both H1 and X1 are marked with white dots.

Baseplate and Mounting

The transformer can be mounted in any position and may be suspended from the bus-bar or cable. It has provision for attaching two optional bases. Low bases are made from stainless steel. The high base increases the transformer height by 2 inches.

GE Digital Energy

Toll Free: +1 877-605-6777
 Direct: +1 678-844-6777
gedigitalenergy@ge.com

GEDigitalEnergy.com

Copyright 2014, General Electric Company.
 GE reserves the right to make changes to specifications of products described at any time without notice and without obligation to notify any person of such changes.
 GE, the GE monogram, and RevenueSense are trademarks of the General Electric Company.