

# Model CTWH4-75-T100

## Wound Primary Current Transformer Medium Voltage

### Application

Metering and relaying.

Vacuum cast in polyurethane resin.  
Other ratios, secondary currents and dual ratios are available. Refer to factory.

### Frequency

50-400 Hz

Approximate weight 42 lbs

### Maximum System Voltage

9.52 kV, BIL 75 kV.

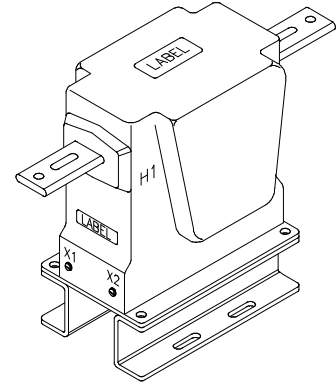
### Continuous Thermal Rating Factor

1.50 at 30 °C., 1.33 at 55 °C.

### Specifications

Primary terminals are plated copper bars.  
See chart next page for sizes. Secondary terminals are brass screws No. 10-32 with one flatwasher, lockwasher.

250:5 and 1,000:5-  
1.10 at 30 °C., 0.85 at 55 °C.  
1,000:5-  
1.0 at 30 °C., 0.75 at 55 °C.



#### REGULATORY AGENCY APPROVALS



Manufactured to meet the requirements of ANSI/IEEE C57.13.

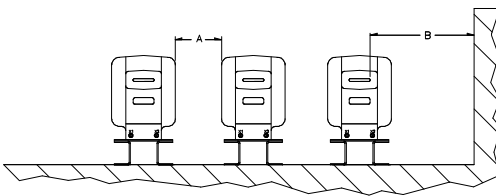
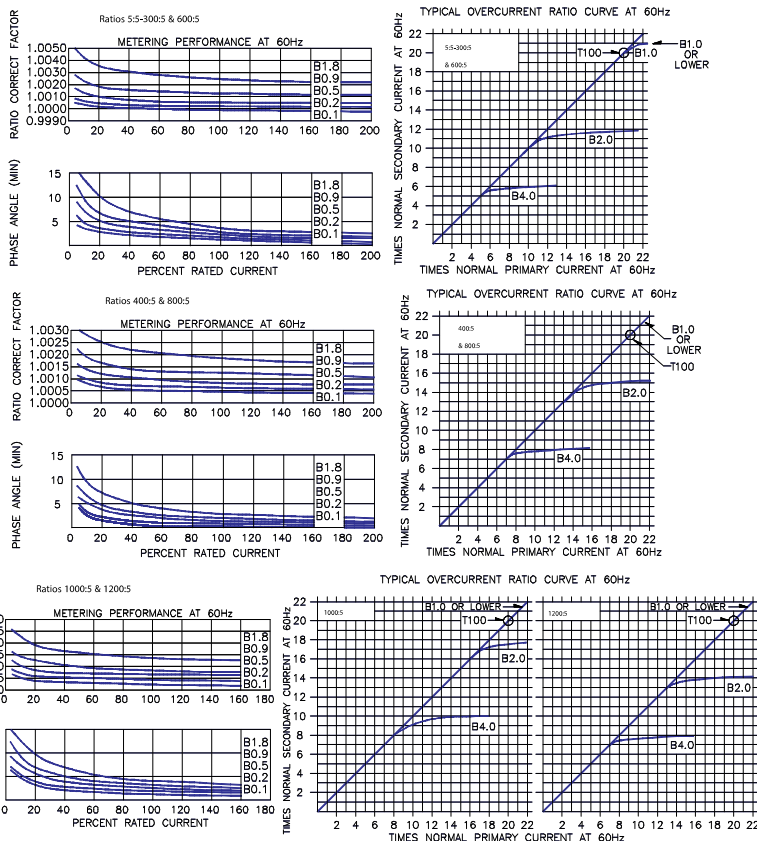
### Model CTWH4-75-T100

Catalog Number	Current Ratio	Relay Class	ANSI Metering Class at 60 Hz					** Thermal Current Rating 1 Second RMS Amps
			B0.1	B0.2	B0.5	B0.9	B1.8	
CTWH4-75-T100-050	5:5	T100	0.3	0.3	0.3	0.3	0.3	470
CTWH4-75-T100-100	10:5	T100	0.3	0.3	0.3	0.3	0.3	900
CTWH4-75-T100-150	15:5	T100	0.3	0.3	0.3	0.3	0.3	1,600
CTWH4-75-T100-200	20:5	T100	0.3	0.3	0.3	0.3	0.3	1,900
CTWH4-75-T100-250	25:5	T100	0.3	0.3	0.3	0.3	0.3	2,600
CTWH4-75-T100-300	30:5	T100	0.3	0.3	0.3	0.3	0.3	2,900
CTWH4-75-T100-400	40:5	T100	0.3	0.3	0.3	0.3	0.3	3,800
CTWH4-75-T100-500	50:5	T100	0.3	0.3	0.3	0.3	0.3	4,700
CTWH4-75-T100-750	75:5	T100	0.3	0.3	0.3	0.3	0.3	5,900
CTWH4-75-T100-101	100:5	T100	0.3	0.3	0.3	0.3	0.3	8,600
CTWH4-75-T100-151	150:5	T100	0.3	0.3	0.3	0.3	0.3	12,900
CTWH4-75-T100-201	200:5	T100	0.3	0.3	0.3	0.3	0.3	17,200
CTWH4-75-T100-251	250:5	T100	0.3	0.3	0.3	0.3	0.3	17,200
CTWH4-75-T100-301	300:5	T100	0.3	0.3	0.3	0.3	0.3	34,500
CTWH4-75-T100-401	400:5	T100	0.3	0.3	0.3	0.3	0.3	34,500
CTWH4-75-T100-601	600:5	T100	0.3	0.3	0.3	0.3	0.3	66,200
CTWH4-75-T100-801	800:5	T100	0.3	0.3	0.3	0.3	0.3	66,200
CTWH4-75-T100-102	1,000:5	T100	0.3	0.3	0.3	0.3	0.3	66,200
CTWH4-75-T100-122	1,200:5	T100	0.3	0.3	0.3	0.3	0.3	66,200

\*With a burden of B0.1 or greater connected to the secondary.



# Model CTWH4-75-T100 Wound Primary CT



## RECOMMENDED MINIMUM SPACINGS

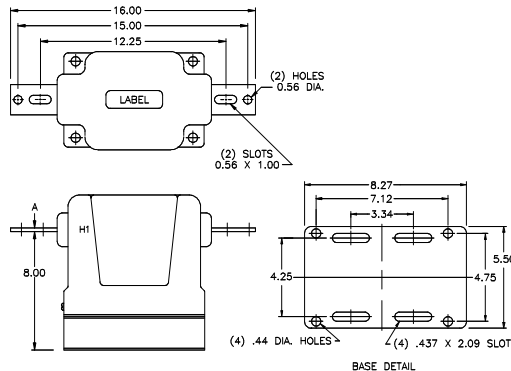
**A** = Unit to Unit = 1.00" minimum.

**B** = HV to Ground in Air = 4.50" minimum.

Recommended spacing are for guidance only. User needs to set appropriate values to assure performance for high potential test, impulse test, high humidity, partial discharge, high altitude, and other considerations like configuration.

## Bar Sizes

Primary Current	Dimensions	
	A	B
5 to 200 A	0.25	1.50
250 to 1,200 A	0.38	2.00



## GEGridSolutions.com

Grid-AIS-L4-ITL\_Model\_CTWH4T100-1389-2017\_07-EN. © Copyright 2017. General Electric Company and Instrument Transformers LLC reserve the right to change specifications of described products at any time without notice and without obligation to notify any person of such changes.

## Worldwide Contact Center

Web: [www.GEGridSolutions.com/contact](http://www.GEGridSolutions.com/contact)

Phone: +44 (0) 1785 250 070

USA and Canada: +1 (0) 800 547 8629

Europe, Middle East and Africa: +34 (0) 94 485 88 00

