



GE-ITI

Outdoor Current Transformer Model JKW-7C 200kV BIL, 10 to 1200 A



APPLICATION

Designed for outdoor service; suitable for operating meters, instruments, relays and control devices.

DIMENSIONS/WEIGHT

Height: 18.59"
Depth: 13.13"
Width: 11.56"
Weight (Approximate).....90 lbs

INSULATION LEVEL

34.5kV; BIL: 200kV per C57.13

FREQUENCY

60Hz

General Information

JKW-7C are manufactured in ITI's Clearwater, FL. plant utilizing state of the art Automated Pressure Gelation (APG) processes and Hydrophobic Cycloaliphatic Epoxy (HCEP) for the entire line of outdoor current transformers. Insulation levels meet or exceed those specified in IEEE C57.13 and CSA CAN3-C13. Dimensions meet IEEE C12.11. Superior designs, HCEP epoxy, and APG processes, are combined to produce the highest quality and reliability available in the industry for outdoor applications.

Catalog Number	Current Ratio	Relay Class 60 Hz	Metering Class 60 Hz	Rating Factor
Single Ratio Type JKW-7C 35kV, 200kV BIL				
757C150001	10:5	C100	0.3 B-0.9	3.0
757C150002	15:5	C100	0.3 B-0.9	3.0
757C150003	20:5	C100	0.3 B-0.9	3.0
757C150004	25:5	C100	0.3 B-0.9	3.0
757C150005	30:5	C100	0.3 B-0.9	3.0
757C150006	40:5	C100	0.3 B-0.9	3.0
757C150007	50:5	C100	0.3 B-0.9	3.0
757C150008	75:5	C100	0.3 B-0.9	3.0
757C150009	100:5	C100	0.3 B-0.9	3.0
757C150010	150:5	C100	0.3 B-0.9	3.0
757C150011	200:5	C100	0.3 B-0.9	3.0
757C150013	300:5	C100	0.3 B-0.9	3.0
757C150014	400:5	C100	0.3 B-0.9	3.0
757C150016	500:5	C100	0.3 B-0.9	2.0
757C150017	600:5	C100	0.3 B-0.9	2.0
757C150018	1200:5	C100	0.3 B-0.9	1.0

Catalog Number	Current Ratio	Relay Class 60 Hz	Metering Class 60 Hz	Rating Factor
Dual Ratio Type JKW-7C 35kV, 200kV BIL				
757C150201	5/10:5	C100 / C200	0.3 B-0.9 0.3 B-1.8	3.0/1.5
757C150203	10/20:5	C100 / C200	0.3 B-0.9 0.3 B-1.8	3.0/1.5
757C150206	20/40:5	C100 / C200	0.3 B-0.9 0.3 B-1.8	3.0/1.5
757C150207	25/50:5	C100 / C200	0.3 B-0.9 0.3 B-1.8	3.0/1.5
757C150210	75/150:5	C100 / C200	0.3 B-0.9 0.3 B-1.8	3.0/1.5
757C150211	100/200:5	C100 / C200	0.3 B-0.9 0.3 B-1.8	3.0/1.5
757C150213	150/300:5	C100 / C200	0.3 B-0.9 0.3 B-1.8	3.0/1.5
757C150214	200/400:5	C100 / C200	0.3 B-0.9 0.3 B-1.8	3.0/1.5
757C150216	300/600:5	C100 / C200	0.3 B-0.9 0.3 B-1.8	3.0/1.5
757C150217	400/800:5	C100 / C200	0.3 B-0.9 0.3 B-1.8	3.0/1.5
757C150218	600/1200:5	C100 / C200	0.3 B-0.9 0.3 B-1.8	2.0/1.0

General Construction

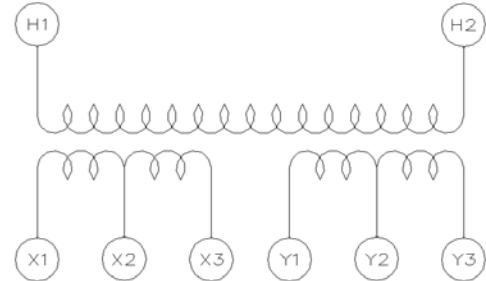
- Insulation - Hydrophobic Cycloaliphatic Epoxy (HCEP)
- Baseplate - Heavy gage marine grade aluminum
- Conduit box - Cast aluminum, removable, 1" threaded hubs
- Nameplate - Anodized aluminum
- Mounting - Horizontal, Vertical, Inverted

HCEP Resin Features

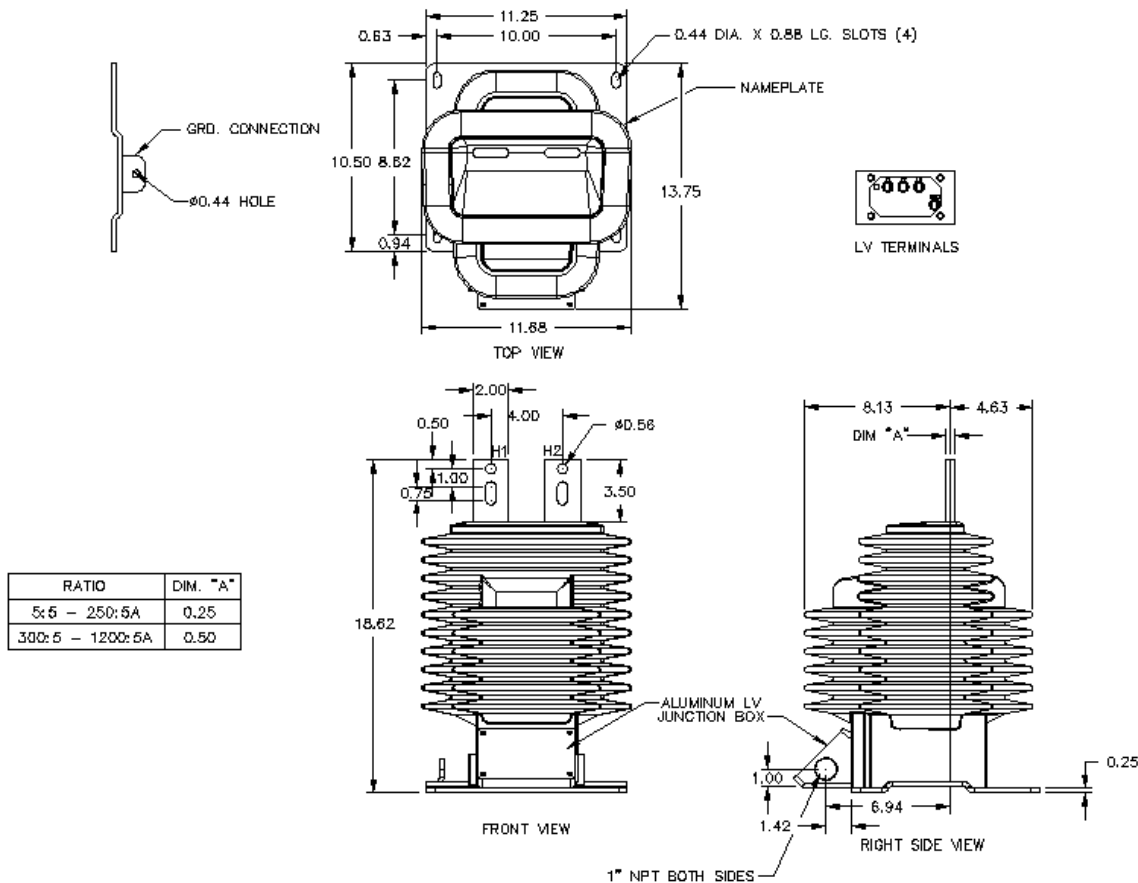
- Ideal for outdoor applications
- Excellent water repellent characteristics
- High mechanical properties
- Excellent dielectric properties - stable in outdoor humid conditions
- Enhanced thermal cycle resistance
- High resistance to erosion from ultra violet (UV) radiation
- High tracking and arc resistance
- Extended service life

Connection Diagram

Available in multiple configurations up to and including: Double ratio with tap on the secondary winding



To purchase or obtain more information about GE Instrument Transformer products, please call GE Multilin at 1-800-547-8629. Product information is also available on our web site at <http://www.GEITI.COM>.



North America/Worldwide
 Toll Free: +1-800-547-8629 (NA Only)
 Tel: +1-905-294-6222
 Fax: +1-905-201-2098
 e-mail: gemultilin@ge.com

Brazil
 Tel: +55-11-2178-1749
 Fax: +55-11-2178-1711
 e-mail: gemultilin@ge.com

ASIA
 Tel: +86-21-2401-3208
 Fax: +86-21-5423-5080
 e-mail: gemultilin@ge.com

Europe, Middle East, Africa
 Tel: +34-94-485-88-54
 Fax: +34-94-485-88-35
 e-mail: gemultilin.euro@ge.com

Please refer to our website www.GEDIGITALENERGY.COM for more detailed contact information