



GE-ITI

Outdoor Current Transformer Model JKW-6C 150kV BIL, 10 to 1200 A



APPLICATION

Designed for outdoor service; suitable for operating meters, instruments, relays and control devices.

DIMENSIONS/WEIGHT

Height: 18.59"
Depth: 13.13"
Width: 11.56"
Weight (Approximate).....90 lbs

INSULATION LEVEL

25kV; BIL: 150kV per C57.13

FREQUENCY

60Hz

General Information

JKW-6C are manufactured in ITI's Clearwater, FL. plant utilizing state of the art Automated Pressure Gelation (APG) processes and Hydrophobic Cycloaliphatic Epoxy (HCEP) for the entire line of outdoor current transformers. Insulation levels meet or exceed those specified in IEEE C57.13 and CSA CAN3-C13. Dimensions meet IEEE C12.11. Superior designs, HCEP epoxy, and APG processes, are combined to produce the highest quality and reliability available in the industry for outdoor applications.

Catalog Number	Current Ratio	Relay Class 60 Hz	Metering Class 60 Hz	Rating Factor
Single Ratio Type JKW-6C 25kV, 150kV BIL				
756C150001	5:5	C100	0.3 B-0.9	3.0
756C150002	10:5	C100	0.3 B-0.9	3.0
756C150003	15:5	C100	0.3 B-0.9	3.0
756C150004	20:5	C100	0.3 B-0.9	3.0
756C150005	25:5	C100	0.3 B-0.9	3.0
756C150006	30:5	C100	0.3 B-0.9	3.0
756C150007	40:5	C100	0.3 B-0.9	3.0
756C150008	50:5	C100	0.3 B-0.9	3.0
756C150009	75:5	C100	0.3 B-0.9	3.0
756C150010	100:5	C100	0.3 B-0.9	3.0
756C150011	150:5	C100	0.3 B-0.9	3.0
756C150012	200:5	C100	0.3 B-0.9	3.0
756C150013	300:5	C100	0.3 B-0.9	3.0
756C150014	400:5	C100	0.3 B-0.9	3.0
756C150015	500:5	C100	0.3 B-0.9	2.0
756C150016	600:5	C100	0.3 B-0.9	2.0
756C150017	800:5	C100	0.3 B-0.9	1.5
756C150018	1200:5	C100	0.3 B-0.9	1.0

Catalog Number	Current Ratio	Relay Class 60 Hz	Metering Class 60 Hz	Rating Factor
Dual Ratio Type JKW-6C 25kV, 150kV BIL				
756C150202	5/10:5	C100 / C200	0.3 B-0.9 0.3 B-1.8	3.0/1.5
756C150204	10/20:5	C100 / C200	0.3 B-0.9 0.3 B-1.8	3.0/1.5
756C150207	20/40:5	C100 / C200	0.3 B-0.9 0.3 B-1.8	3.0/1.5
756C150208	25/50:5	C100 / C200	0.3 B-0.9 0.3 B-1.8	3.0/1.5
756C150211	75/150:5	C100 / C200	0.3 B-0.9 0.3 B-1.8	3.0/1.5
756C150212	100/200:5	C100 / C200	0.3 B-0.9 0.3 B-1.8	3.0/1.5
756C150214	150/300:5	C100 / C200	0.3 B-0.9 0.3 B-1.8	3.0/1.5
756C150215	200/400:5	C100 / C200	0.3 B-0.9 0.3 B-1.8	3.0/1.5
756C150217	300/600:5	C100 / C200	0.3 B-0.9 0.3 B-1.8	3.0/1.5
756C150218	400/800:5	C100 / C200	0.3 B-0.9 0.3 B-1.8	3.0/1.5
756C150219	600/1200:5	C100 / C200	0.3 B-0.9 0.3 B-1.8	2.0/1.0

General Construction

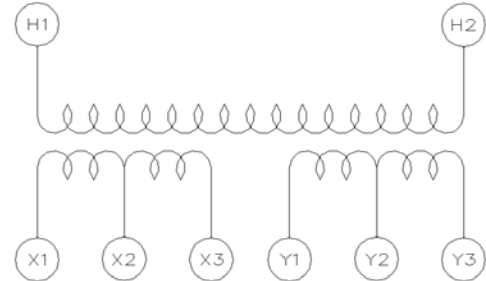
- Insulation - Hydrophobic Cycloaliphatic Epoxy (HCEP)
- Baseplate - Heavy gage marine grade aluminum
- Conduit box - Cast aluminum, removable, 1" threaded hubs
- Nameplate - Anodized aluminum
- Mounting - Horizontal, Vertical, Inverted

HCEP Resin Features

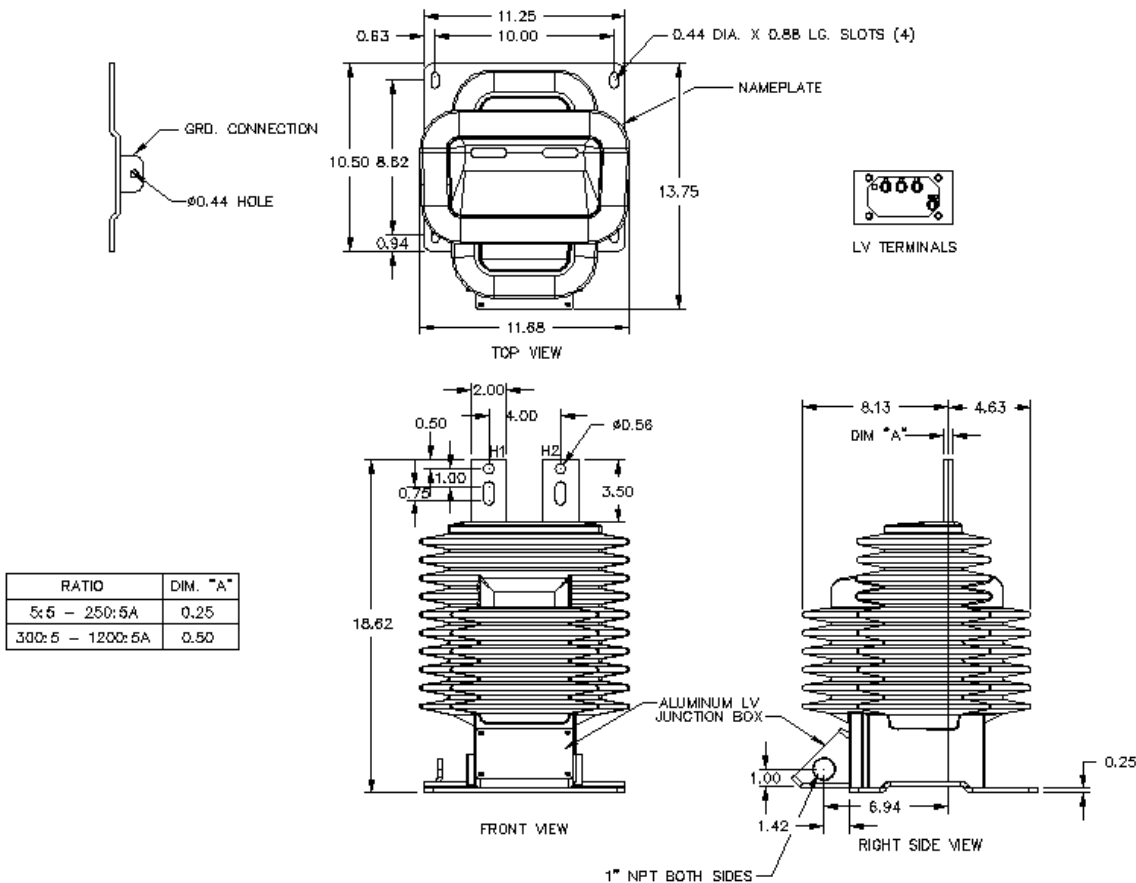
- Ideal for outdoor applications
- Excellent water repellent characteristics
- High mechanical properties
- Excellent dielectric properties - stable in outdoor humid conditions
- Enhanced thermal cycle resistance
- High resistance to erosion from ultra violet (UV) radiation
- High tracking and arc resistance
- Extended service life

Connection Diagram

Available in multiple configurations up to and including: Double ratio with tap on the secondary winding



To purchase or obtain more information about GE Instrument Transformer products, please call GE Multilin at 1-800-547-8629. Product information is also available on our web site at <http://www.GEITI.COM>.



North America/Worldwide
 Toll Free: +1-800-547-8629 (NA Only)
 Tel: +1-905-294-6222
 Fax: +1-905-201-2098
 e-mail: gemultilin@ge.com

Brazil
 Tel: +55-11-2178-1749
 Fax: +55-11-2178-1711
 e-mail: gemultilin@ge.com

ASIA
 Tel: +86-21-2401-3208
 Fax: +86-21-5423-5080
 e-mail: gemultilin@ge.com

Europe, Middle East, Africa
 Tel: +34-94-485-88-54
 Fax: +34-94-485-88-35
 e-mail: gemultilin.euro@ge.com

Please refer to our website www.GEDIGITALENERGY.COM for more detailed contact information