



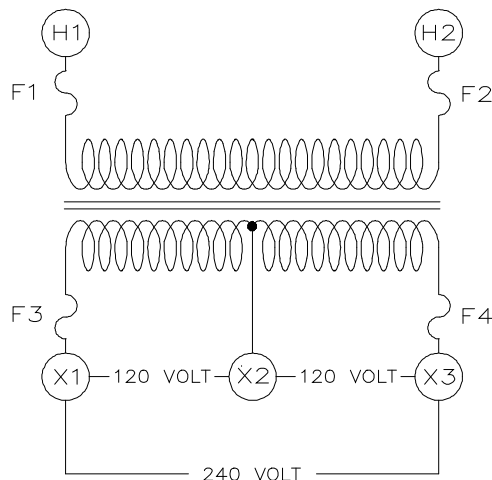
# Control Power Transformer

## Model 401 - 405

# 50 Hz



### CONNECTION DIAGRAM



#### APPLICATION:

Control power transformer for line to line primary connection with dual secondary operation- 240/120 volts-see connection diagram. (Primary and secondary fuse clips supplied) Fuses are optional and are available on request.

For primary fuses only, add "F" to the end of the part number - example 403-380-5F. For primary and secondary fuses add "FF" to the end of the part number 403-380-5FF.

This transformer may have very high inrush currents. Therefore type RK-5 fuses must be used. See table for ampacity selection.

#### FREQUENCY:

50 Hz.

#### INSULATION LEVEL:

0.6 kV, Class H (180°C).

#### STANDARD SECONDARY VOLTAGE:

240 Volts with center tap.

#### THERMAL RATING:

120°C. rise @ 40°C amb.

Terminals are 10-32 plain brass, pan head screws.

Mounting bolts (4) are 1/4-20, zinc plated.

\*Vendor to supply ILSCO terminal lugs (SLU-25), or provision to accept #10 ring terminals.

Fuse puller is classified as a fuse holder and is for isolation only!

**Do not disconnect under load.**

Dimensions: Inches [Metric]

MODEL	RATING @ 40°C	TOTAL WATTS DISSIPATED (Approx.)	APPROX. WEIGHT
401	1 kVA	50	35
402	2 kVA	80	40
403	3 kVA	100	45
405	5 kVA	170	60

# Model 401 - 405

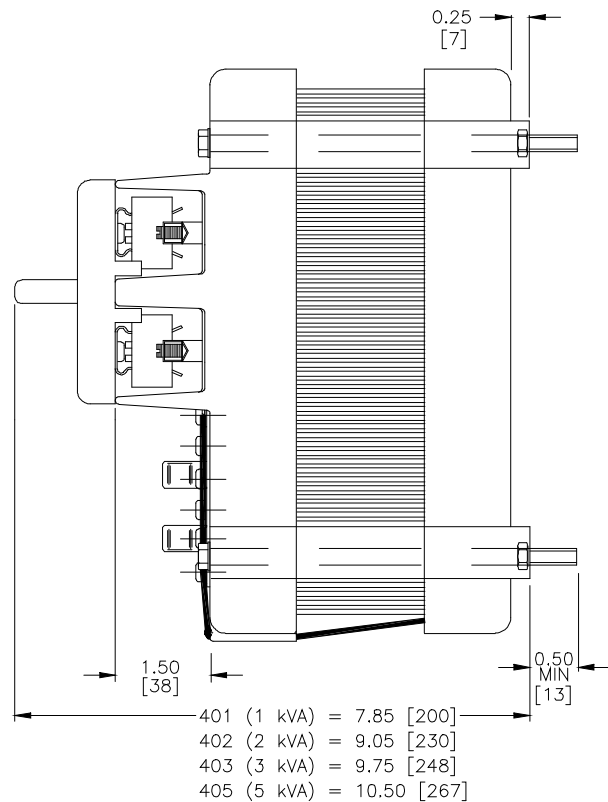
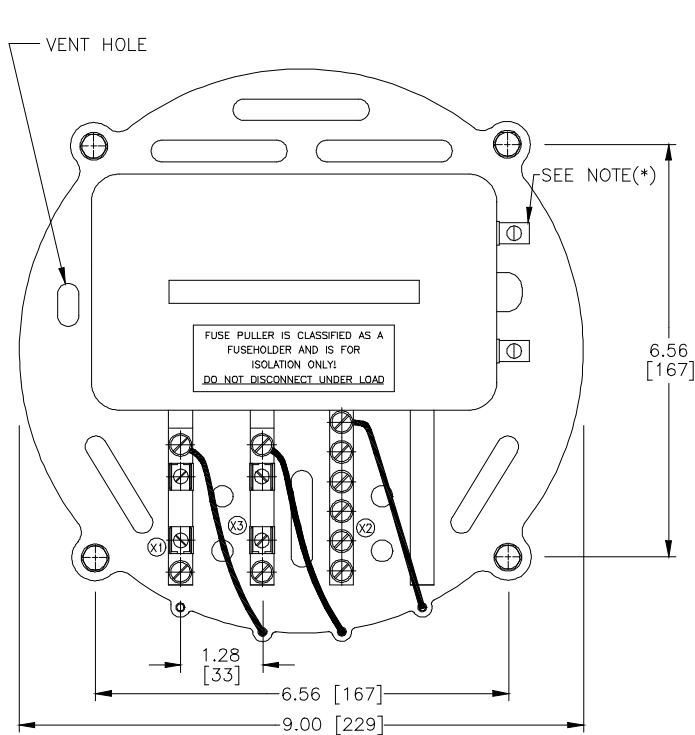
PRI L-L VOLTS (H1-H2)	1 kVA — MODEL 401		
	CATALOG NUMBER	RATED AMPS	FUSE
380	401-380-5	2.63	RK-5, 6A 600 VOLT    TYPE FRS-R
400	401-400-5	2.50	RK-5, 6A 600 VOLT    TYPE FRS-R
416	401-416-5	2.40	RK-5, 6A 600 VOLT    TYPE FRS-R
SEC: X1 & X3		4.17	6 AMP MAX

PRI L-L VOLTS (H1-H2)	2kVA — MODEL 402		
	CATALOG NUMBER	RATED AMPS	FUSE
380	402-380-5	5.26	RK-5, 12A 600 VOLT    TYPE FRS-R
400	402-400-5	5.00	RK-5, 12A 600 VOLT    TYPE FRS-R
416	402-416-5	4.81	RK-5, 12A 600 VOLT    TYPE FRS-R
SEC: X1 & X3		8.33	12 AMP MAX

PRI L-L VOLTS (H1-H2)	3 kVA — MODEL 403		
	CATALOG NUMBER	RATED AMPS	FUSE
380	403-380-5	7.89	RK-5, 17.5A 600 VOLT    TYPE FRS-R
400	403-400-5	7.50	RK-5, 17.5A 600 VOLT    TYPE FRS-R
416	403-416-5	7.21	RK-5, 17.5A 600 VOLT    TYPE FRS-R
SEC: X1 & X3		12.50	20 AMP MAX

PRI L-L VOLTS (H1-H2)	5 kVA — MODEL 405		
	CATALOG NUMBER	RATED AMPS	FUSE
380	405-380-5	13.16	RK-5, 30A 600 VOLT    TYPE FRS-R
400	405-400-5	12.50	RK-5, 30A 600 VOLT    TYPE FRS-R
416	405-416-5	12.02	RK-5, 30A 600 VOLT    TYPE FRS-R
SEC: X1 & X3		20.83	30 AMP MAX

PRIMARY FUSES ARE 600VOLT ( BUSSMANN: TYPE FRS-R, 13/16 x 5 INCHES.)  
SECONDARY FUSE RATINGS LISTED ABOVE — USE BUSSMANN TYPE FNQ, TIME DELAY FUSES.



**USA, Canada, Asia, Latin America**

Tel: +1-800-547-8629

Fax: +1-905-201-2455

e-mail: [sales.multilin@ge.com](mailto:sales.multilin@ge.com)

**Europe, Middle East, Africa**

Tel: +34-94-485-88-00

Fax: +34-94-485-88-45

e-mail: [gemultilin.euro@ge.com](mailto:gemultilin.euro@ge.com)

Please refer to our website [www.GEMultilin.com](http://www.GEMultilin.com) for more detailed contact information

CS00A40702 Rev.2 06/10