

Models 3CPTD3-60-75 & 3CPTD5-95-75

Control Power Transformer Medium Voltage

Application

To provide control power in medium voltage switchgear.

Frequency

60 Hz

Insulation Level

5 kV & 15 kV Class,
60 kV & 95 kV BIL, 150 °C

Thermal Rating

75 kVA at 30 °C ambient.
64.3 kVA at 55 °C ambient.

H.V. Terminals are No. 8-2 connector.
L. V. Terminals are 1/2-13 brass studs.

Windings are encapsulated in epoxy resin.

Mounting base is steel.

Assembly is varnish coated.

(6) Mounting slots are 0.37 x 0.75, Typ.

Low voltage available, 208 Y/120 V.

For indoor use.

Approximate weight 2000 lbs.



For Horizontal Mounting

Standard Typical Voltage - Consult Factory for Specials

Models 3CPTD3-60-75 & 3CPTD5-95-75

| **Catalog Number | Primary Voltage | *Fuse Rating |
|---------------------|-----------------|--------------|
| 3CPTD3-60-75-4161** | 4,160 | 25E |
| 3CPTD3-60-75-482** | 4,800 | 20E |

| **Catalog Number | Primary Voltage | *Fuse Rating |
|---------------------|-----------------|--------------|
| 3CPTD5-95-75-722** | 7,200 | 20E |
| 3CPTD5-95-75-842** | 8,400 | 20E |
| 3CPTD5-95-75-123** | 12,000 | 10E |
| 3CPTD5-95-75-1242** | 12,470 | 10E |
| 3CPTD5-95-75-1322** | 13,200 | 10E |
| 3CPTD5-95-75-1382** | 13,800 | 10E |

*Note all fuse rating are based on NEC transformer overcurrent protection recommendations. Specific applications may require other other ratings.

**For 1 ± 7 1/2% taps use suffix "A" after Catalog No.

**For 2 ± 2 1/2% taps use suffix "B" after Catalog No.



Models 3CPTD3-60-75 & 3CPTD5-95-75 - for Horizontal Mounting

Connections Diagrams

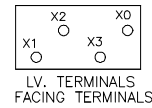
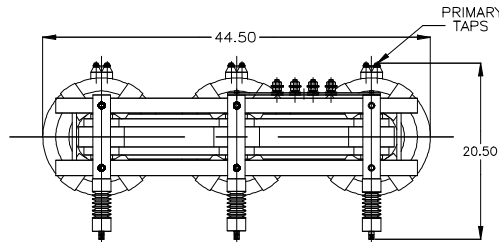
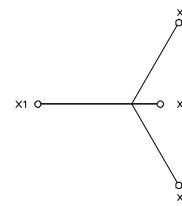
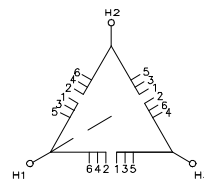
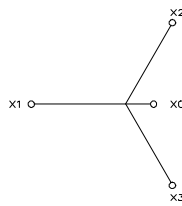
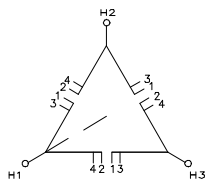
| PRIMARY VOLTS | CONNECT |
|---------------|---------|
| 107.5% | 1 - 2 |
| 100% | 2 - 3 |
| 92.5% | 3 - 4 |

1 $\pm 7\text{--}1\frac{1}{2}\%$ PRIMARY TAPS
SUFFIX "A"

For horizontal mounting

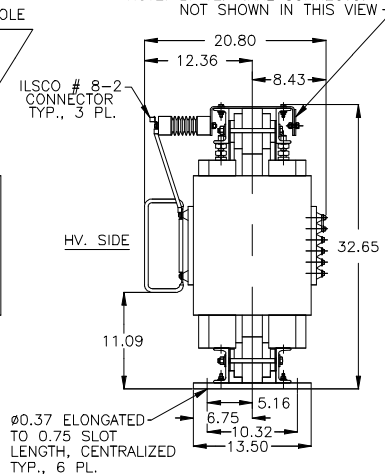
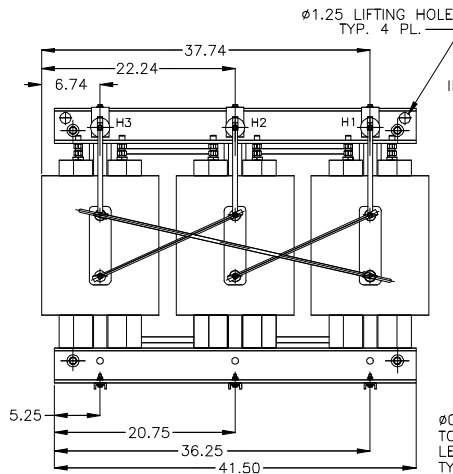
| PRIMARY VOLTS | CONNECT |
|---------------|---------|
| 105% | 1 - 2 |
| 102.5% | 2 - 3 |
| 100% | 3 - 4 |
| 97.5% | 4 - 5 |
| 92.5% | 5 - 6 |

2 $\pm 2\text{--}1\frac{1}{2}\%$ PRIMARY TAPS
SUFFIX "B"



NOTE: HIGH VOLTAGE WIRE CONNECTION NOT SHOWN IN THIS VIEW.

NOTE: LV TERMINAL CONNECTOR NOT SHOWN IN THIS VIEW.



$\emptyset 0.37$ ELONGATED TO 0.75 SLOT LENGTH, CENTRALIZED TYP., 6 PL.

GEGridSolutions.com

Grid-AIS-L4-ITL_Model_3CPTD3-60-75-1079-2017_05-EN. © Copyright 2017. General Electric Company and Instrument Transformers LLC reserve the right to change specifications of described products at any time without notice and without obligation to notify any person of such changes.

Worldwide Contact Center

Web: www.GEGridSolutions.com/contact

Phone: +44 (0) 1785 250 070

USA and Canada: +1 (0) 800 547 8629

Europe, Middle East and Africa: +34 (0) 94 485 88 00

