

**Section 4**  
**Outdoor**  
**Current Transformers**



**600 V BIL 10 kV**  
**Outdoor Current**  
**JAK-0**  
**200 A to 800 A**  
**2.50" to 3.062" Window**  
**50/60 Hz**



*JAK-0 window-type with low base*

### Application

Designed for outdoor service; suitable for operating meters and instruments, on both single-phase two-wire circuits, and polyphase circuits. The window-type transformer can also be used on three-wire, single-phase circuits. For use on higher voltage circuits with an insulated primary conductor, please refer to the Applications Information section of this volume.

### ANSI Meter Accuracy Classification, 60 Hz

Burdens per ANSI

B-0.1, B-0.2, B-0.5; all models ..... 0.3

### Weight - Shipping/Net

(approximate, in pounds)

Window-Type Transformer, without base ..... 13/12

Primary Bar-Type Transformer, without base ..... 17/16

Low Base, add ..... 1/0.75

High Base, add ..... 1.5/1

Extra-wide Base, add ..... 1/0.75

Primary Bar ..... 4.25/3.0

Secondary Terminal Conduit Box ..... 1.5/1.0

### Accessories ..... Catalog Number

Low Base ..... 5466220001

Extra-wide Base ..... 5466220002

High Base ..... 5466182002

Primary Bar; 200 A, 200/400 A ..... 9926119013

Primary Bar; 400, 500, 600,

800, 400/800 A ..... 9926119015

Primary Bar; 300/600 A ..... 9926119014

Secondary Terminal Conduit Box ..... 9689693007

**JAK-0 DATA TABLE**

Current Ratio (in Amps) Pri : Sec	Continuous Thermal Current Rating Factor		Window Size	Catalog Number			
	30°C Ambient	55°C Ambient		Without Base	With Low Base	W/Extra-Wide Base	With High Base
<b>Window-Type, Single-Ratio</b>							
200:5	3.0	2.9	2.500	750X033301	750X033311	750X033351	750X033321
400:5	4.0	2.9	3.062	750X033303	750X033313	750X033353	750X033323
500:5	3.0	2.4	3.062	750X033304	750X033314	750X033354	750X033324
600:5	2.0	1.8	3.062	750X033305	750X033315	750X033355	750X033325
800:5	2.0	1.5	3.062	750X033306	750X033316	750X033356	750X033326
<b>Window-Type, Dual-Ratio</b>							
200/400:5	2.0/2.0	1.5/1.5	2.500	750X033307	750X033317	---	---
300/600:5	2.0/2.0	1.5/1.5	3.062	750X033308	750X033318	---	---
400/800:5	2.0/2.0	1.5/1.5	3.062	750X033309	750X033319	---	---
<b>Primary Bar-Type, Single-Ratio</b>							
200:5	3.0	2.5	2.500	---	750X033331	---	750X033341
400:5	3.5	2.7	3.062	---	750X033333	---	750X033343
500:5	3.0	1.5	3.062	---	750X033334	---	750X033344
600:5	2.0	1.8	3.062	---	750X033335	---	750X033345
800:5	2.0	1.5	3.062	---	750X033336	---	750X033346



Data subject to change without notice.

**Reference Drawings**

Accuracy Curves at 60 Hz:

200:5 .....	9689241578
400:5 .....	9689241579
500:5 .....	9689241580
600:5 .....	9689241581
800:5 .....	9689241582

Outline Drawings:

Window, No base .....	9928749
Window, Low base .....	9928801
Window, Wide base .....	9928803
Window, High base .....	9928749
Window, Dual, No base .....	9928800
Window, Dual, Low base .....	9928802
Bar, Low base .....	9928808
Bar, High base .....	9928809
Conduit box.....	9689693007

Wiring Diagram ..... refer to page 41, figure 3

**Construction and Insulation**

Please refer to General Product Information, item 1.8.

**Core**

Please refer to General Product Information, item 2.2.

**Primary Bars**

The Type JAK-0 is available with the primary bar mounted in place, or the bar can be supplied separately for assembly into a window-type unit. The bar is flat copper and is tin-plated to allow for connection of either copper or aluminum cable connectors. The bar can be rotated to bring the plane of the terminal pads to any desired position. It is supported and held in place by two insulated end plates, which act as small animal barriers. One plate is permanently attached to the primary bar; the other has a slot so it can be slipped over the bar and held in position with two setscrews. The holes in the plates provide ventilation and drainage of any water that might accumulate inside the transformer window when mounted outdoors in a vertical position.

**Secondary Winding**

Please refer to General Product Information, item 3.14.

**Terminals**

The secondary terminals are clamp-type, with a 0.275-inch diameter hole, simplifying the connection of large or multiple secondary wires. The terminals are made of bronze for excellent durability and corrosion resistance.

An internal secondary terminal block secures both the secondary terminals and a stud in between them, which is used as a short circuit device pivot, and as a means to attach and secure the secondary cover. The short-circuit device is insulated from the cover stud by a small phenolic bushing.

The short-circuit device is made of sturdy bronze. The contact with the terminal is direct. The connections to the transformer terminals are external to the transformer, making it clearly visible that the secondary winding is short-circuited. When the transformer is in the operating, open-circuited position, the interlock on the terminal cover holds the short-circuit device in the open position. A detent in the butyl surface on the top of the transformer is also provided to hold the device when the cover is not used.

Dual-ratio transformers are provided with three secondary terminals to eliminate connection errors. Terminal X<sub>3</sub> is the common, with X<sub>1</sub>-X<sub>3</sub> providing the high current ratio connection, and X<sub>2</sub>-X<sub>3</sub> providing the low current rating connection. The secondary terminal, short-circuit device and cover are the same as for the single-ratio transformers. Polarity identification for the lowest ratio is provided by having "X<sub>2</sub>" etched on the nameplate, adjacent to the center-tapped terminal.

*continued on next page*

## Outdoor – Current – JAK-0

### Cover

The secondary cover is transparent allowing verification of lead connections and the position of the short-circuit device without removing the cover. The cover is large enough to allow connection of leads without bending; it can be installed to allow the leads to come out either the front or back with no reassembly. The cover cannot be put in place or sealed with secondary leads connected unless the short-circuit device is open. A knurled nut on top allows removal of the cover without the use of tools. A slot through the nut is used for sealing.

### Conduit Box

The aluminum conduit box and cover are painted black. The conduit box is attached to the transformer by an insulating block fastened to the secondary terminals.

### Polarity

Please refer to General Information, item 7.1.

### Baseplate and Mounting

The JAK-0 can be mounted in any position. When used Indoors, it can be mounted on any flat surface. It is especially suitable for use in small boxes; multiple transformers can be mounted close together because the secondary terminals and nameplate are on the top.

Three optional baseplates mount to the transformer by two screws which are on a 1½ inch square so the base can be turned 90 degrees from the standard position. The bases all have a natural stainless steel finish.

The standard size low base is 2½ inches by 5 ⅝ inches. The special wide low base is 2½ inches by 8 inches. It has two double key holes for mounting bolts or screws. Four ⅝ inch diameter holes, one in each corner, provide an optional means of mounting for either base.

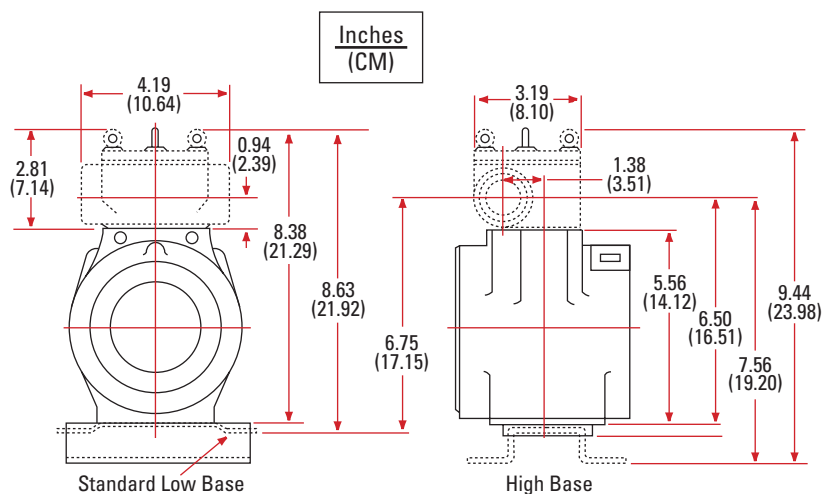
A high mounting base is also available. It is made of cold-rolled steel painted black. The base attaches to the transformer with two screws. When installed, the base increases the overall height of the transformer by ¾ inches provide interchangeability with 600 Volt, bar-type current transformers.

### Nameplate

Please refer to General Product Information, item 6.4.

### Maintenance

Please refer to General Product Information, item 10.1 and pages 24-27.



JAK-0 mechanical dimensions



Data subject to change without notice.



---

**THIS PAGE LEFT  
BLANK INTENTIONALLY**



*Data subject to change without notice.*

**600 V BIL 10 kV**  
**Outdoor Current**  
**JAD-0**  
**200 A to 4,000 A**  
**5.75" Window, Removable Bar**  
**50/60 Hz**



**Application**

Designed for indoor and outdoor service; suitable for operating meters, instruments and control devices. For higher voltage (1.2 to 15 kV) applications, please refer to the Application Information section of this volume.

**Regulatory Agency Approvals**

UL Recognized ..... File E96707

**Weight - Shipping/Net**

(approximate, in pounds)

Transformer, without base

Window Type ..... 14/13

Primary Bar Type ..... 19/17

Mounting Base, add ..... 2.0/2.0

**Accessories ..... Catalog Number**

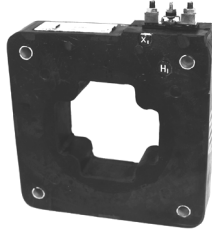
Secondary Conduit Box ..... 9689693006

Stainless Steel Keyholed Mounting Base .. 9928569006

Lexan Terminal Cover (Outdoor Use) .... 4112592004



**JAD-0 with round window and mounting base**



**JAD-0 with cross-shaped window**

**JAD-0 DATA TABLE - Window Type**

Current Ratio (in Amps) Pri : Sec	ANSI Accuracy Classification, 60 Hz Burdens B-0.1 B-0.2 B-0.5 B-1 B-2					One Second Thermal Limit, in Amps, w/Sec. Short-Circuited	Cont. Thermal Current Rating Factor 30°C Amb.	Round Window			Cross-Shaped Window	
								Without Mounting Base	Stainless Steel Base Assembled	S-S Base Assembled and Cond. Box Provision	Cont. Thermal Current Rating Factor 30°C Amb.	Catalog Number
<b>Single Ratio</b>												
200:5	0.6	1.2	---	---	---	16,400	4.0	750X020240	750X020260	750X020270	---	---
300:5	0.3	0.6	1.2	---	---	23,400	4.0	750X020241	750X020261	750X020271	---	---
400:5	0.3	0.3	0.6	---	---	29,200	4.0	750X020242	750X020262	750X020272	---	---
500:5	0.3	0.3	0.6	---	---	44,500	4.0	750X020243	750X020263	750X020273	---	---
600:5	0.3	0.3	0.3	---	---	43,800	3.0	750X020244	750X020264	750X020274	---	---
800:5	0.3	0.3	0.3	---	---	58,400	2.0	750X020001	750X020154	750X020167	2.0	750X020009
1000:5	0.3	0.3	0.3	---	---	48,000	2.0	750X020002	750X020155	750X020168	2.0	750X020010
1200:5	0.3	0.3	0.3	0.3	---	62,400	2.0	750X020003	750X020156	750X020169	2.0	750X020011
1500:5	0.3	0.3	0.3	0.3	---	162,000	3.0	750X020180	750X020181	750X020184	2.8	750X020183
2000:5	0.3	0.3	0.3	0.3	0.3	120,000	2.0	750X020005	750X020158	750X020171	1.5	750X020013
2500:5	0.3	0.3	0.3	0.3	0.3	120,000	1.5	750X020006	750X020159	750X020172	1.5	750X020014
3000:5	0.3	0.3	0.3	0.3	0.3	162,000	1.5	750X020007	750X020160	750X020173	1.5	750X020015
4000:5	0.3	0.3	0.3	0.3	0.3	304,000	1.5	750X020008	750X020161	750X020174	1.5	750X020016
<b>Dual Ratio</b>												
600/1200:5	0.3	0.3	---	---	---	31,200	2.0	750X020025	750X020162	750X020175	2.0	750X020030
	0.3	0.3	0.3	0.3	---	57,600	2.0				2.0	
800/1600:5	0.3	0.3	---	---	---	38,400	2.0	750X020026	750X020163	750X020176	2.0	750X020031
	0.3	0.3	0.3	0.3	---	76,800	2.0				2.0	
1000/2000:5	0.3	0.3	0.3	---	---	60,000	2.0	750X020027	750X020164	750X020177	2.0	750X020032
	0.3	0.3	0.3	0.3	0.3	120,000	2.0				1.5	
1500/3000:5	0.3	0.3	0.3	---	---	81,000	2.0	750X020028	750X020165	750X020178	2.0	750X020033
	0.3	0.3	0.3	0.3	0.3	162,000	1.5				1.5	
2000/4000:5	0.3	0.3	0.3	---	---	152,000	2.0	750X020029	750X020166	750X020179	2.0	750X020034
	0.3	0.3	0.3	0.3	0.3	304,000	1.5				1.5	

**JAD-0 DATA TABLE - Primary Bar Type**

Current Ratio (in Amps) Pri : Sec	ANSI Accuracy Classification, 60 Hz Burdens B-0.1 B-0.2 B-0.5 B-1 B-2					One Second Thermal Limit, in Amps, w/Sec. Short-Circuited	Cont. Thermal Current Rating Factor 30°C Amb.	Number of Primary Bars	Catalog Number			
									Without Mounting Base		With Mounting Base	
									11 7/8" Bar	14 1/2" Bar	11 7/8" Bar	14 1/2" Bar
800:5	0.3	0.3	0.3	---	---	58,400	2.0	1	750X020201	750X020221	750X020211	750X020231
1000:5	0.3	0.3	0.3	---	---	48,000	2.0	1	750X020202	750X020222	750X020212	750X020232
1200:5	0.3	0.3	0.3	0.3	---	62,400	1.5	1	750X020203	750X020223	750X020213	750X020233
1500:5	0.3	0.3	0.3	0.3	---	162,000	1.5	1	750X020204	750X020224	750X020214	750X020234
2000:5	0.3	0.3	0.3	0.3	0.3	120,000	1.5	2	750X020205	750X020225	750X020215	750X020235
3000:5	0.3	0.3	0.3	0.3	0.3	162,000	1.33	3	750X020207	750X020227	750X020217	750X020237
4000:5	0.3	0.3	0.3	0.3	0.3	304,000	1.2	4	750X020208	750X020228	750X020218	750X020238



Data subject to change without notice.

## Reference Drawings

Accuracy Curves at 60 Hz:

200:5 .....	9932600093
300:5 .....	9932600094
400:5 .....	9932600095
500:5 .....	9932600096
600:5 .....	9932600097
800:5 .....	9689241445
1200:5 .....	9689241447
1500:5 .....	9689241448
2000:5 .....	9689241449
3000:5 .....	9689241451

Outline Drawings:

Single Ratio, Round Window .....	A8949951
Removable Primary Bar (14" Bar) Assembly .....	A9930967
Single-Ratio, Round Window, and Mounting Base .....	A9928753
Dual-Ratio, Cross-Shaped Window .....	A9926364

Wiring Diagram ..... refer to page 41, figure 3

## Construction and Insulation

Please refer to General Product Information, item 1.1.

### Primary Bar

Removable primary bar assemblies for use with the JAD-0 type current transformer are provided in lengths of 13 1/2 inches and 10 7/8 inches, measured between centerlines of the outboard mounting holes.

Each copper bar is 1/4 inch thick and four inches wide, with 1/4 inch spacing between bars on multiple bar assemblies. The bars are tin-plated to accommodate either copper or aluminum bus conductors.

These assemblies are removable and continuously rotatable through 360 degrees, with each bar individually suspended to provide mounting flexibility. Primary bars are contained by insulated and ventilated end caps, which lock bar assemblies in any desired orientation. Bar assemblies will also support a JAD-0 without base in a vertical primary orientation. Potential connector mounting holes are provided at both ends of each bar assembly, with associated hardware included in the assembly.

Bar assembly kits are also available as supply parts. Each kit includes all bars, end caps, spacers, and hardware necessary to mount the bar assembly to the window of the JAD-0 current transformer.

## Secondary Winding

Please refer to General Product Information, item 3.15.

### Terminals

The single-ratio transformers have two terminals and one terminal cover; the double-ratio transformers have four terminals with two terminal covers. The terminals are fixed, 1/4 inch-28 threaded brass studs. Each is supplied with a cup washer, lock washer and nut.

A fiber piece between the two terminals serves as a mounting block for the short-circuit device and as a base for the terminal cover. It also supports the brass sealing stud.

A Lexan® cover is available for protecting the secondary terminals when the transformer is used outdoors.

### Conduit Box

Please refer to General Product Information, item 12.4.

### Polarity

Please refer to General Product Information, item 7.1.

### Baseplate and Mounting

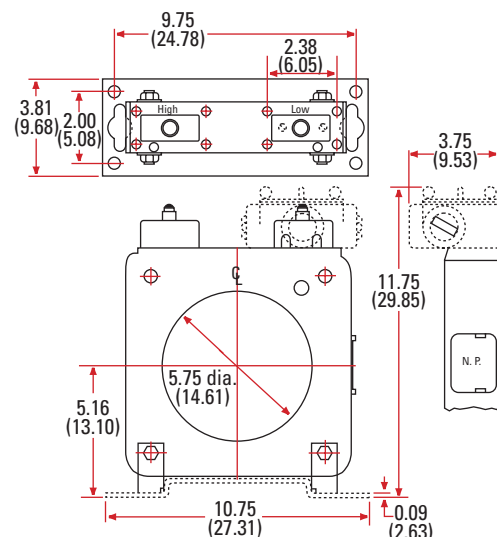
Four mounting holes are provided for bolting the transformer to a switchboard. The Type JAD-0 transformer is available with a stainless-steel keyholed mounting base, with the same mounting dimensions as the Type JCP-0 transformer. The base is also available as a separate item, complete with bolts, nuts, and washers. To accommodate the conduit box, transformers having provisions for a conduit box must be specified on the order.

### Nameplate

Please refer to General Product Information, item 6.4.

### Maintenance

Please refer to General Product Information, item 10.1 and pages 24-27.

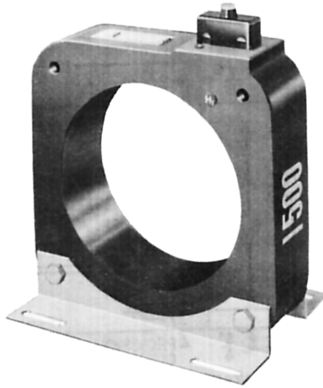


JAD-0 mechanical dimensions



Data subject to change without notice.

**600 V BIL 10 kV**  
**Outdoor Current**  
**JCD-0**  
**1,500 A to 8,000 A**  
**8.125" Window**  
**50/60 Hz**



*JCD-0 single ratio current transformer,  
with mounting feet*

**Application**

Designed for indoor and outdoor service; suitable for operating meters, relays or control devices. For higher voltage (1.2 kV to 15 kV) applications, please refer to the Application Information section of this volume.

**Regulatory Agency Approvals**

UL Recognized ..... File E96707

**Weight - Shipping/Net**

*(approximate, in pounds)*

Transformer, without mounting feet ..... 25/20  
 Mounting Feet, add ..... 2/2

**Reference Drawings**

Accuracy Curves:

1500:5 ..... 9689241600  
 2000:5 ..... 9689241605  
 3000:5 ..... 9689241246  
 8000:5 ..... 9689241119

Excitation Curves:

1500:5 ..... 9689241608  
 2000:5 ..... 9689241611  
 3000:5 ..... 9689241917  
 4000:5 ..... 9689241330  
 5000:5 ..... 9689241330  
 6000:5 ..... 9689241330

Outline Drawings:

Single-Ratio ..... A9926365  
 Dual-Ratio ..... A9926367

Wiring Diagram ..... refer to page 41, figure 3

**Accessories ..... Catalog Number**

Secondary Conduit Attachment ..... 9689693006  
 Stainless Steel Mounting Feet ..... 8944637072

JCD-0 DATA TABLE								
Current Ratio (In Amps) Pri : Sec	ANSI Accuracy Class, 60 Hz				Relay Class	Continuous Thermal-Current Rating Factor 30°C Ambient	Catalog Number	
	Meter Class, Burden						Without Mounting Feet	With Mounting Feet
	B-0.1 to B-0.5	B-1	B-2					
<b>Single Ratio</b>								
1500:5	0.3	0.3	--	C50	3.0	750X031124	750X031125	
2000:5	0.3	0.3	0.3	C100	2.0	750X031007	750X031033	
3000:5	0.3	0.3	0.3	C100	2.0	750X031009	750X031035	
4000:5	0.3	0.3	0.3	C100	1.5	750X031010	750X031036	
5000:5	0.3	0.3	0.3	C100	1.0	750X031011	750X031037	
6000:5	0.3	0.3	0.3	C100	1.0	750X031012	750X031038	
8000:5	0.3	0.3	0.3	C100	1.0	750X031014	750X031040	
<b>Dual Ratio</b>								
1000/2000:5	0.3	0.6	1.2	C50	2.0	750X031016	750X031042	
	0.3	0.3	0.3	C100	2.0			
1500/3000:5	0.3	0.6	1.2	C50	2.0	750X031017	750X031043	
	0.3	0.3	0.3	C100	2.0			
2000/4000:5	0.3	0.6	1.2	C50	2.0	750X031018	750X031044	
	0.3	0.3	0.3	C100	1.5			
3000/6000:5	0.3	0.6	1.2	C50	1.33	750X031019	750X031032	
	0.3	0.3	0.3	C100	1.0			



*Data subject to change without notice.*

**Construction and Insulation**

Please refer to General Product Information, items 1.2 and 1.8.

**Core**

Please refer to General Product Information, item 2.2.

**Secondary**

**Winding**

Please refer to General Product Information, item 3.15.

**Terminals**

The single-ratio transformers have two terminals and one terminal cover; the double-ratio transformers have four terminals with two terminal covers. The terminals are fixed, 1/4 inch-28 threaded brass studs. Each is supplied with a cup washer, lock washer and nut.

A fiber piece between the two terminals serves as a mounting block for the short-circuit device and as a base for the terminal cover. It also supports the brass sealing stud.

**Conduit Box**

Please refer to General Product Information, item 12.4.

**Polarity**

Please refer to General Product Information, item 7.1.

**Baseplate and Mounting**

Four mounting holes are provided for bolting the transformer to a switchboard.

**Mounting Feet**

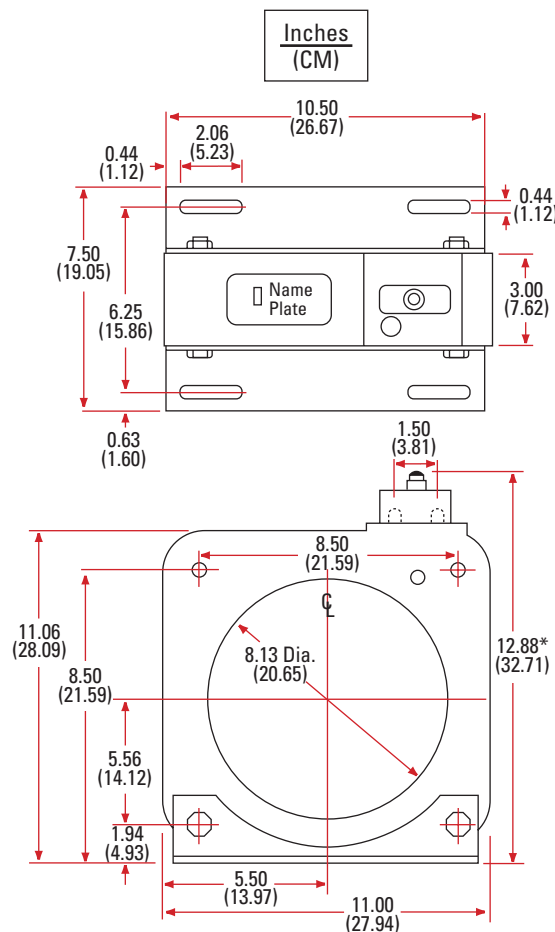
The JCD-0 transformer is available with stainless steel feet, which are also available as a separate item, complete with bolts, nuts and washers. Please refer to the data table and accessories listings.

**Nameplate**

Please refer to General Product Information, item 6.4.

**Maintenance**

Please refer to General Product Information, item 10.1 and pages 24-27.



**JCD-0 mechanical dimensions**



*Data subject to change without notice.*

600 V BIL 10 kV  
 Outdoor Current  
**JCP-0**  
 800 A to 4,000 A  
 5.375" Window  
 50/60 Hz



JCP-0 current transformer, dual ratio

**Application**

Designed for indoor and outdoor service; suitable for operating meters, relays and control devices on circuits not exceeding 600 volts line-to-line. It may be used on higher voltage circuits with an insulated conductor, as described in the Applications Section of this volume.

**Regulatory Agency Approvals**

UL Recognized ..... File E96707

**Weight - Shipping/Net**

(approximate, in pounds)

Transformer ..... 32/28

**Reference Drawings**

Accuracy Curves at 60 Hz:

800:5 .....	9689241269
1200:5 .....	5453770
1500:5 .....	5454067
2000:5 .....	5454068
3000:5 .....	9689241373
4000:5 .....	5454070
1000/2000:5 .....	9689241970
1500/3000:5 .....	5454083
2000/4000:5 .....	5454084

Excitation Curve ..... 9689241948

Outline Drawings:

Single-Ratio .....	8949762
Dual-Ratio .....	8949829

Wiring Diagram ..... refer to page 41, figure 3

**Accessories ..... Catalog Number**

Secondary Conduit Attachment ..... 8949398002

JCP-0 DATA TABLE

Current Ratio (in Amps) Pri : Sec	ANSI Accuracy Class, 60 Hz				Continuous Thermal-Current Rating Factor 30°C Ambient	Catalog Number
	Meter Class, Burden			Relay Class		
	B-0.1 to B-0.5	B-1	B-2			
100:5	0.3	0.6	0.6	--	2.0	750X015001
600:5	0.3	0.3	0.3	C100	2.0	750X015002
800:5	0.3	0.3	0.3	C100	2.0	750X015003
1200:5	0.3	0.3	0.3	C200	2.0	750X015005
1500:5	0.3	0.3	0.3	C200	2.0	750X015006
2000:5	0.3	0.3	0.3	C200	1.5	750X015007
3000:5	0.3	0.3	0.3	C200	1.33	750X015009
4000:5	0.3	0.3	0.3	C200	1.33	750X015010
1000/2000:5	0.3	0.6	0.6	C100	2.0	750X015011
	0.3	0.3	0.3	C200	1.5	
1500/3000:5	0.3	0.3	0.6	C100	2.0	750X015012
	0.3	0.3	0.3	C200	1.33	
2000/4000:5	0.3	0.3	0.6	C100	1.5	750X015013
	0.3	0.3	0.3	C200	1.33	



Data subject to change without notice.

**Construction and Insulation**

Please refer to General Product Information, items 1.2 and 1.8.

**Core**

Please refer to General Product Information, item 2.2.

**Secondary Winding**

Please refer to General Product Information, item 3.16.

**Terminals**

The single-ratio transformers have two terminals and one terminal cover; the double-ratio transformers have four terminals with two terminal covers. The terminals are fixed, 1/4 inch-28 threaded brass studs. Each is supplied with a cup washer, lock washer and nut.

A molded phenolic piece between the two terminals serves as a mounting block for the short-circuit device and as a base for the terminal cover. It also supports the brass sealing stud.

The terminal covers are molded phenolic. They are weather-resistant, and will not warp or distort from exposure. Each cover has a brass sealing nut which engages the brass sealing stud located half-way between the two terminals. The cover is reversible, having one position when the secondary short-circuiting switch is closed and no meter leads are connected, and a reverse position when the short-circuiting switch is open and meter leads are attached. The cover cannot be put in position to be sealed when the short-circuiting switch is closed and meter leads are connected.

The short-circuiting device is manually opened to give a positive action.

Each pair of secondary terminals on the double-ratio transformers is properly identified by an adjacent nameplate.

The entire secondary terminal structure is designed to be easily removed and reassembled in a reverse position. On the single-ratio transformers, this permits connecting meter leads on either side of the transformer.

**Conduit Attachment**

A secondary conduit attachment is available for the single-ratio transformers only. It is designed to be easily assembled on the transformer in place of the secondary terminal block. The conduit attachment, including cover, is made of aluminum with a black anodized finish. It is furnished with the necessary bushings, gaskets, clamp terminals, polarity marker, short-circuit strip, and cover, with four captive thumb screws and one pipe plug.

**Polarity**

Please refer to General Product Information, item 7.3.

**Baseplate and Mounting**

The base plate is made of 1/8 inch stainless steel. It is attached by four stainless steel bolts.

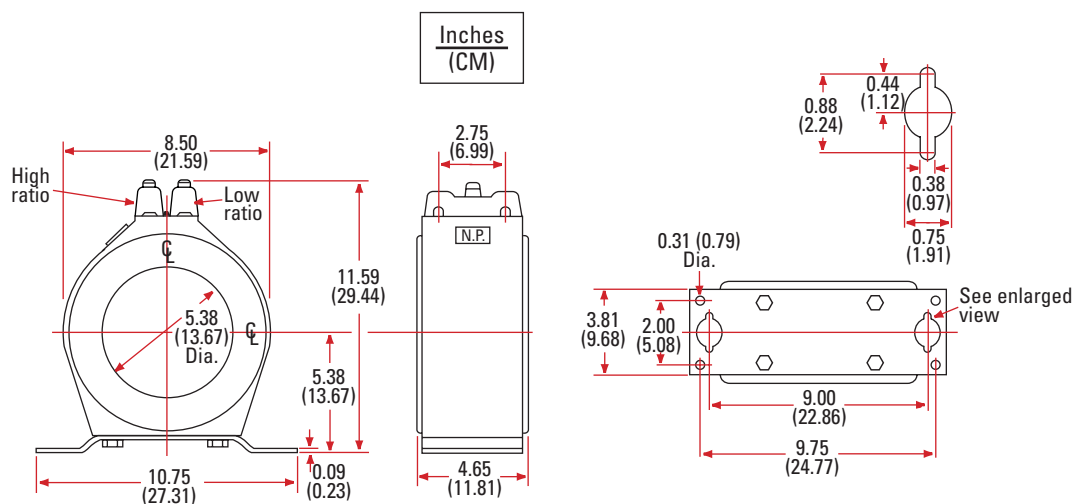
The JCP-0 transformer may be mounted on any flat surface such as a wall, crossarm, etc. A double keyhole in each end of the base permits setting the mounting bolts or lag-screws before placing the transformer in position. An optional method of mounting is made available by four 5/16 inch diameter holes, one in each corner of the base plate.

**Nameplate**

Please refer to General Product Information, item 6.4.

**Maintenance**

Please refer to General Product Information, item 10.1 and pages 24-27.



JCP-0 mechanical dimensions



Data subject to change without notice.

**600 V BIL 10 kV**  
**Outdoor Current**  
**JCW-0**  
**200 A to 400 A**  
**1.50" to 2.00" Window**  
**50/60 Hz**



*JCW-0 current transformer*

**Application**

Designed for indoor and outdoor service; suitable for operating meters and instruments, on both single-phase and polyphase circuits.

**Weight - Shipping/Net**

*(approximate, in pounds)*

Transformer, without base	
200:5 Current Ratio .....	5.75/5.5
400:5 Current Ratio .....	4.25/4.0
Low Base, add .....	0.75/0.75
High (EEI) Base, add .....	1.25/1.25
Extra-wide Base, add .....	0.5/0.5

**Reference Drawings**

Accuracy Curves at 60 Hz:

200:5 .....	9689241249
400:5 .....	9689241248
Excitation Curve .....	9689241258

Outline Drawings:

Transformer, No Base, w/Secondary Cover .....	A99308001
Removable Primary Bar .....	
200:5 .....	9926129009
400:5 .....	9926129010
Low Base, w/Secondary Cover .....	A9930803
High Base, w/Secondary Cover .....	A9930805

Wiring Diagram ..... refer to page 41, figure 3

**Accessories ..... Catalog Number**

Low Base .....	8944637065
High Base .....	8944637066
Extra Wide Base .....	8944637967

JCW-0 DATA TABLE							
Current Ratio (in Amps) Pri : Sec	ANSI Accuracy Class, 60 Hz Burden Per ANSI			Continuous Thermal-Current Rating Factor		Window Diameter (in Inches)	Catalog Number
	B-0.1	B-0.2	B-0.5	30°C Ambient	55°C Ambient		
<b>Without Base</b>							
200:5	0.3	0.3	0.3	3.0	2.0	1.50	750X032203
300:5	0.3	0.3	0.3	2.0	1.5	2.00	750X032206
400:5	0.3	0.3	0.3	2.0	1.5	2.00	750X032204
<b>With Low Base</b>							
200:5	0.3	0.3	0.3	3.0	2.0	1.50	750X032213
300:5	0.3	0.3	0.3	2.0	1.5	2.00	750X032220
400:5	0.3	0.3	0.3	2.0	1.5	2.00	750X032214
<b>With High (EEI) Base</b>							
200:5	0.3	0.3	0.3	3.0	2.0	1.50	750X032223
300:5	0.3	0.3	0.3	2.0	1.5	2.00	750X032226
400:5	0.3	0.3	0.3	2.0	1.5	2.00	750X032224



*Data subject to change without notice.*



**Construction and Insulation**

Please refer to General Product Information, items 1.2 and 1.8.

**Window**

The window has ample size to accommodate cables of current-carrying capacity equal to or greater than the transformer rating.

**Primary Bars**

Removable tin-plated primary bars are available for all ratings of the JCW-0 type transformer. The primary copper bar is held in place in the transformer window by serrated butyl bushings molded to the bar. The primary bar may be easily inserted or removed from the transformer window by pushing the bar in the direction of the arrow embossed near the terminal surface.

**Secondary Terminals**

Please refer to General Product Information, item 4.11.

**Polarity**

Please refer to General Product Information, item 7.1.

**Baseplate and Mounting**

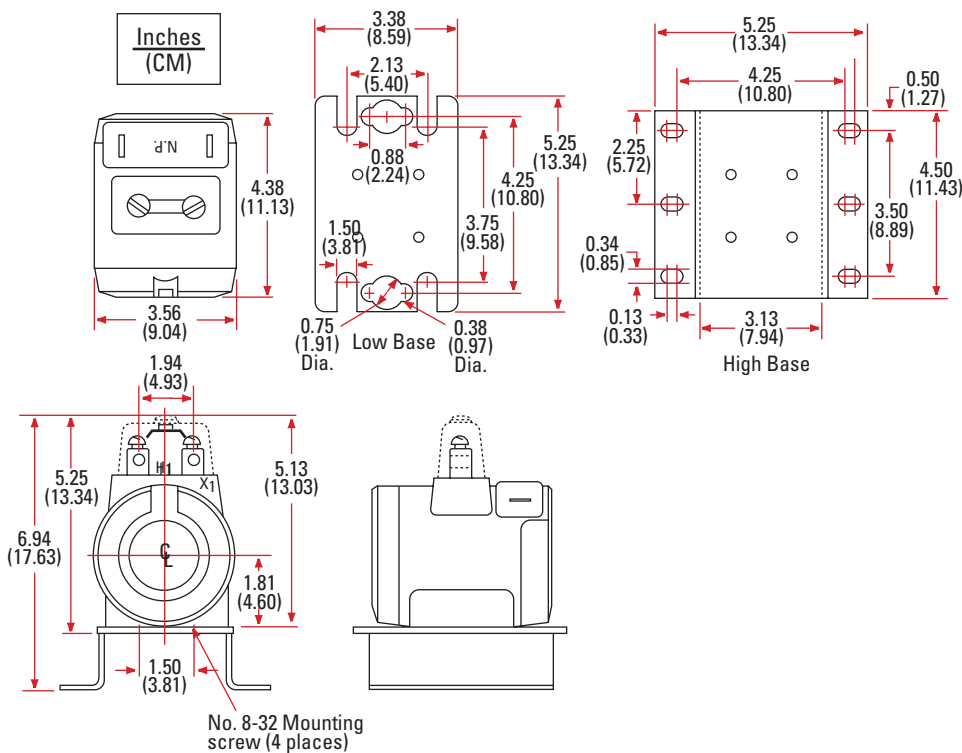
Please refer to General Product Information, item 5.7.

**Nameplate**

Please refer to General Product Information, item 6.4.

**Maintenance**

Please refer to General Product Information, item 10.1 and pages 24-27.



JCW-0 mechanical dimensions



Data subject to change without notice.

**600 V BIL 10 kV  
Outdoor Current**

**JCR-0**

**100 A to 400 A  
1.125" to 2.00" Window  
50/60 Hz**



**JCR-0 with low base**

**Application**

Designed for indoor and outdoor service; suitable for use in both single-phase and polyphase circuits in revenue metering.

**Weight - Shipping/Net**

*(approximate, in pounds)*

Transformer, without base .....	6.5/6.0
Low Base, add .....	0.75/0.75
High (EEI) Base, add .....	1.25/1.25
Extra-wide Base, add .....	0.5/0.5

**Reference Drawings**

Accuracy Curves:

100:5 .....	9932600120
200:5 .....	9932600031
300:5 .....	9932600032
400:5 .....	9689241315

Outline Drawings:

No Base .....	9930812
Low Base .....	9930814
High Base .....	9930816

Wiring Diagram ..... refer to page 41, figure 3

**Accessories ..... Catalog Number**

Low Base .....	8944637065
High Base .....	8944637066
Extra Wide Base .....	8944637067

JCR-0 DATA TABLE							
Current Ratio (in Amps) Pri : Sec	ANSI Accuracy Class, 60 Hz Burden Per ANSI		Continuous Thermal Current Rating Factor		Window I.D. (Inches)	Catalog Number	
	B-0.1, B-0.2	B-0.5	30°C Ambient	55°C Ambient		With Secondary Hardware and Cover	Without Secondary Hardware and Cover
<b>Without Base</b>							
100:5	0.3	1.2	4.0	3.0	1.125	750X034072	750X034071
200:5	0.3	0.6	3.0	2.0	1.500	750X034053	750X034052
300:5	0.6	0.6	2.0	1.5	2.000	750X034022	750X034021
400:5	0.3	0.6	2.0	1.5	2.000	750X034004	750X034002
<b>Low Base</b>							
100:5	0.3	1.2	4.0	3.0	1.125	750X034074	750X034073
200:5	0.3	0.6	3.0	2.0	1.500	750X034055	750X034054
300:5	0.6	0.6	2.0	1.5	2.000	750X034024	750X034023
400:5	0.3	0.6	2.0	1.5	2.000	750X034008	750X034006
<b>High (EEI) Base</b>							
100:5	0.3	1.2	4.0	3.0	1.125	750X034076	750X034075
200:5	0.3	0.6	3.0	2.0	1.500	750X034057	750X034056
300:5	0.6	0.6	2.0	1.5	2.000	750X034026	750X034025
400:5	0.3	0.6	2.0	1.5	2.000	750X034012	750X034010



*Data subject to change without notice.*

**Construction and Insulation**

Please refer to General Product Information, item 1.1.

**Window**

The window has ample size to accommodate cables of current-carrying capacity equal to or greater than the transformer rating.

**Secondary Terminals**

Please refer to General Product Information, item 4.11.

**Maximum Secondary Lead Lengths**

Please refer to General Product Information, item 11.1.

**Polarity**

Please refer to General Product Information, item 7.1.

**Baseplate and Mounting**

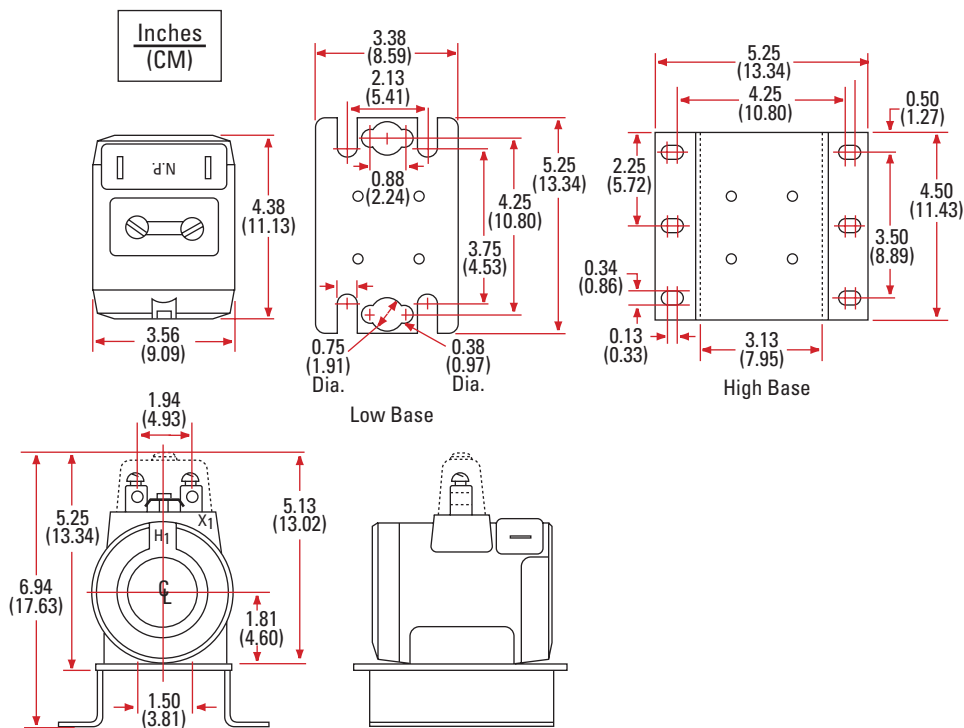
Please refer to General Product Information, item 5.7.

**Nameplate**

Please refer to General Product Information, item 6.4.

**Maintenance**

Please refer to General Product Information, item 10.1 and pages 24-27.



JCR-0 mechanical dimensions

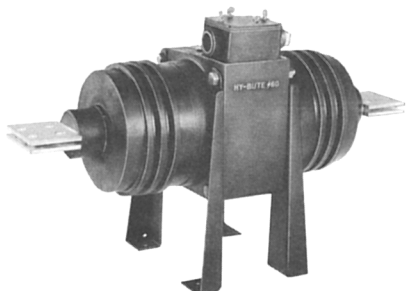


Data subject to change without notice.

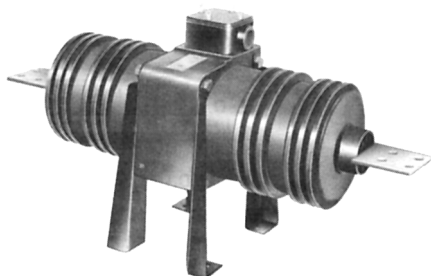
**5,000 V to 15,000 V BIL 60 kV to 110 kV**  
**Outdoor Current**  
**JCW-3/JCW-4/JCW-5**  
**600 A to 4,000 A**  
**50/60 Hz**



When choosing your GE Instrument Transformer, don't forget to explore the benefits of using GE's 0.15 accuracy class AccuBute line. See page 37.



JCW-3 and -4 current transformer



JCW-5 current transformer

### Application

Designed for outdoor service; suitable for operating meters, relays and control devices.

### ANSI Meter Accuracy Classification, 60 Hz

B-0.1 through B-1; all models ..... 0.3  
 B-2 ..... refer to data table

### Weight - Shipping/Net

(approximate, in pounds)

Transformer ..... 123/111

### Reference Drawings

Accuracy Curves at 60 Hz:

1200:5 .....	9689241017
1500:5 .....	9689241018
2000:5 .....	9689241019
3000:5 .....	9689241021
4000:5 .....	9689241022
600/1200:5 .....	9689241023 & 9689241024
750/1500:5 .....	9689241025 & 9689241026
1000/2000:5 .....	9689241027 & 9689241028
1500/3000:5 .....	9689241029 & 9689241030
2000/4000:5 .....	9689241031 & 9689241032

Excitation Curves:

1200:5 .....	H9689241126
1500:5 .....	H9689241127
2000:5 .....	H9689241128
3000:5 .....	H9689241124
4000:5 .....	H9689241130

Outline Drawings:

JCW-3 & JCW-4 Transformer .....	8949931
JCW-5 Transformer .....	8949932
Wiring Diagram .....	refer to page 41, figure 3

JCW-3/JCW-4/JCW-5 DATA TABLE

Current Ratio (in Amps) Pri : Sec	ANSI Accuracy Class, 60 Hz		Continuous Thermal Current Rating Factor 30°C Ambient	One-Second Thermal Limit, Amperes	Catalog Number		
	Meter Class, Burden B-2	Relay Class			JCW-3 5,000 V BIL 60 kV	JCW-4 8,700 V BIL 75 kV	JCW-5 15,000 V BIL 110 kV
<b>Single Ratio</b>							
1200:5	0.3	C200	1.33	55,000	753X030003	754X030003	755X030003
1500:5	0.3	C200	1.33	69,000	753X030004	754X030004	755X030004
2000:5	0.3	C200	1.33	148,000	753X030005	754X030005	755X030005
3000:5	0.3	C200	1.33	279,000	753X030007	754X030007	755X030007
4000:5	0.3	C200	1.0	456,000	753X030008	754X030008	755X030008
<b>Dual Ratio</b>							
600/1200:5	0.6	C100	2.0	55,000	753X030009	754X030009	755X030009
	0.3	C200	1.33				
750/1500:5	0.6	C100	2.0	69,000	753X030010	754X030010	755X030010
	0.3	C200	1.33				
1000/2000:5	0.6	C100	2.0	148,000	753X030011	754X030011	755X030011
	0.3	C200	1.33				
1500/3000:5	0.3	C100	2.0	279,000	753X030012	754X030012	755X030012
	0.3	C200	1.33				
2000/4000:5	0.3	C100	2.0	456,000	753X030013	754X030013	755X030013
	0.3	C200	1.0				



Data subject to change without notice.

**Construction and Insulation**

Please refer to General Product Information, items 1.2 and 1.8.

**Core**

Please refer to General Product Information, item 2.2.

**Primary Terminals**

Please refer to General Product Information, item 4.9.

**Winding**

Please refer to General Product Information, item 3.4.

**Secondary Winding**

Please refer to General Product Information, item 3.4.

**Terminals**

Please refer to General Product Information, item 4.16.

**Conduit Box**

Please refer to General Product Information, item 12.2.

**Polarity**

Please refer to General Product Information, item 7.2.

**Baseplate and Mounting**

Please refer to General Product Information, item 5.13.

**Nameplate**

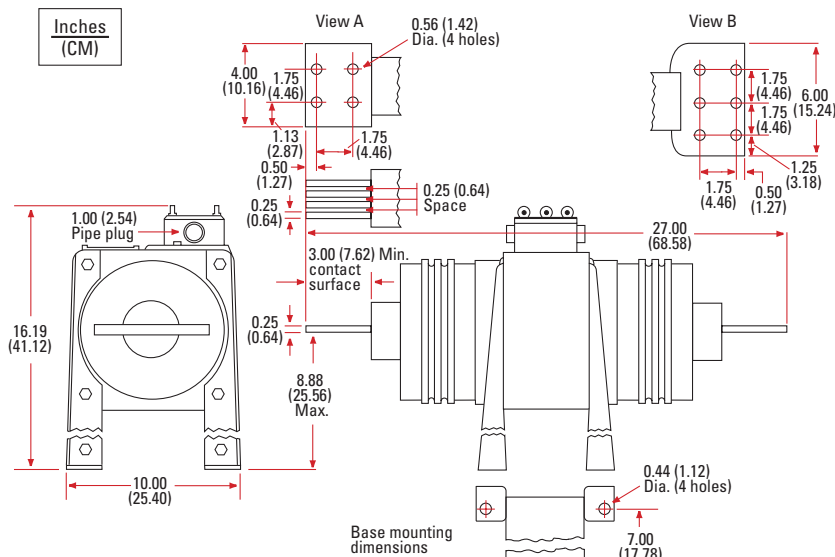
Please refer to General Product Information, item 6.1.

**Maintenance**

Please refer to General Product Information, item 10.1 and pages 24-27.

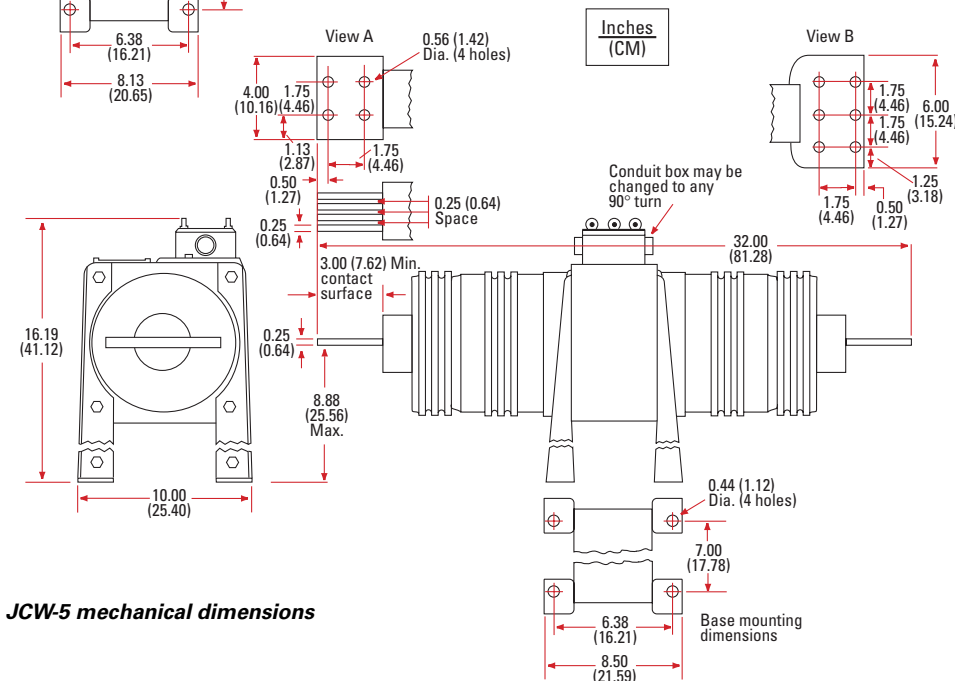
**Mechanical Rating**

Mechanical limits are omitted since, if bar-primary type transformers are properly installed, their mechanical strength is nearly unlimited.



Ampere Rating	Dim. D	Pad View	No. of Pads
1200/1500	8.88 (25.56)	A	1
2000	8.63 (21.92)	A	2
3000	8.38 (21.92)	B	3
4000	8.13 (20.65)	B	4

JCW-3 and -4 mechanical dimensions



JCW-5 mechanical dimensions



Data subject to change without notice.

**5,000 V to 8,700 V BIL 60 kV to 75 kV**  
**Outdoor Current**  
**JKW-3/JKW-4**  
**5 A to 800 A**  
**50/60 Hz**



When choosing your GE Instrument Transformer, don't forget to explore the benefits of using GE's 0.15 accuracy class AccuBute line. See page 37.



JKW-3 and -4 current transformer

### Application

Designed for outdoor service; suitable for operating meters, relays, and control devices.

### ANSI Meter Accuracy Classification, 60 Hz

B-0.1, B-0.2, and B-0.5; all models ..... 0.3  
 B-1 and B-2; all models ..... 0.3

### ANSI Relay Accuracy Classification, 60 Hz

All models ..... T100

### Weight - Shipping/Net

(approximate, in pounds)

Transformer ..... 48/40

### Reference Drawings

Accuracy Curve at 60 Hz:

5 A to 800 A, Normal Current ..... 9689241518  
 Excitation Curve ..... 9932600018  
 Outline Drawing ..... 8949943  
 Wiring Diagram ..... refer to page 41, figure 2

### Accessories ..... Catalog Number

Mounting Hardware:

"L" Mounting Brackets ..... 8944634001  
 Auxiliary "L" Mounting Bracket ..... 8944270001  
 Channel Bracket ..... 5466227001  
 Suspension Hooks ..... 8944630001  
 Secondary Conduit Box ..... 9689897001

JKW-3/JKW-4 DATA TABLE

Current Ratio (in Amps) Pri : Sec ①	Continuous Thermal Current Rating Factor 30°C Ambient	One-Second Thermal Limit, Amperes	Mechanical Limit; Amperes		Catalog Number	
			JKW-3	JKW-4	JKW-3	JKW-4
					5,000 V BIL 60 kV	8,700 V BIL 75 kV
5:5	1.5	465	900	--	753X050008	--
10:5	1.5	930	1,800	1,100	753X050009	754X050002
15:5	1.5	1,470	2,700	1,650	753X050010	754X050003
20:5	1.5	1,850	3,600	2,200	753X050011	754X050004
25:5	1.5	2,300	4,500	2,750	753X050012	754X050005
30:5	1.5	2,450	5,400	3,300	753X050013	754X050006
40:5	1.5	3,700	7,200	4,400	753X050014	754X050007
50:5	1.5	4,600	9,000	5,500	753X050015	754X050008
75:5	1.5	6,400	13,500	8,250	753X050016	754X050009
100:5	1.5	8,600	18,000	11,000	753X050017	754X050010
150:5	1.5	12,800	27,000	16,500	753X050018	754X050011
200:5	1.5	17,300	36,000	22,000	753X050019	754X050012
300:5	1.5	25,700	54,000	33,000	753X050021	754X050014
400:5	1.5	36,000	72,000	44,000	753X050022	754X050015
600:5	1.5	51,500	108,000	66,000	753X050024	754X050017
800:5	1.25	67,000	108,000	80,000	753X050025	754X050018

Note

① Dual-ratio models with tapped-secondary are available. Please contact the factory for information.



Data subject to change without notice.

**Construction and Insulation**

Please refer to General Product Information, items 1.2 and 1.8.

**Core**

Please refer to General Product Information, item 2.4.

**Primary Terminals**

Please refer to General Product Information, item 4.8.

**Winding**

Please refer to General Product Information, item 3.3.

**Secondary Winding**

Please refer to General Product Information, item 3.3.

**Terminals**

Please refer to General Product Information, item 4.21.

**Ground Terminal**

Please refer to General Product Information, item 4.24.

**Polarity**

Please refer to General Product Information, item 7.2.

**Baseplate and Mounting**

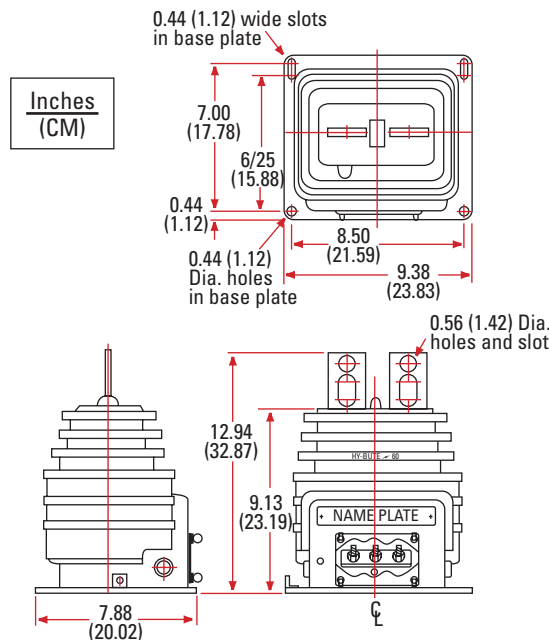
Please refer to General Product Information, items 5.3, 5.15 and the Application Information section of this volume.

**Nameplate**

Please refer to General Product Information, item 6.1.

**Maintenance**

Please refer to General Product Information, item 10.1 and pages 24-27.



***JKW-3, and -4 mechanical dimensions***



*Data subject to change without notice.*

**5,000 V to 8,700 V BIL 60 kV and 75 kV**  
**Outdoor Current**  
**JCK-3/JCK-4**  
**5 A to 800 A**  
**50/60 Hz**



*JCK-3 and -4 wound-type metering current transformer*

**Application**

Designed for outdoor service; suitable for metering applications.

**ANSI Meter Accuracy Classification, 60 Hz**

B-0.1 and B-0.2; all models ..... 0.3  
 B-0.5; all models except 753X051001 ..... 0.3

**Weight - Shipping/Net**

*(approximate, in pounds)*

Transformer, without base ..... 43/35

**Reference Drawings**

Characteristic Ratio and Phase-Angle Curves at 60 Hz:

5 A ..... 9689241951  
 10 A to 200 A, and 400 A ..... 9689241953  
 300 A ..... 9689241952  
 600 A and 800 A ..... 9689241954  
 Outline Drawing ..... 9932587  
 Wiring Diagram ..... refer to page 41, figure 2

**Accessories ..... Catalog Number**

Mounting Hardware:

“L” Mounting Brackets ..... 8944634001  
 Auxiliary “L” Mounting Bracket ..... 8944270001  
 Channel Bracket ..... 5466227001  
 Suspension Hooks ..... 8944630001  
 Secondary Conduit Box ..... 9689897001

**JCK-3/JCK-4 DATA TABLE**

Current Ratio (in Amps) Pri : Sec	Continuous Thermal Current Rating Factor 30°C Ambient	Mechanical Limit; Amperes	One-Second Thermal Limit, Amperes	Catalog Number	
				JCK-3 5,000 V BIL 60 kV	JCK-4 8,700 V BIL 75 kV
5:5	3.0	3,400	1,900	753X051001	754X051001
10:5	3.0	3,400	1,900	753X051002	754X051002
15:5	3.0	5,100	2,850	753X051003	754X051003
20:5	3.0	6,800	3,825	753X051004	754X051004
25:5	3.0	8,500	4,775	753X051005	754X051005
30:5	3.0	10,200	5,725	753X051006	754X051006
40:5	3.0	13,600	7,650	753X051007	754X051007
50:5	3.0	17,000	9,550	753X051008	754X051008
75:5	3.0	21,250	11,775	753X051009	754X051009
100:5	3.0	34,000	19,125	753X051010	754X051010
150:5	3.0	42,500	23,575	753X051011	754X051011
200:5	3.0	56,100	38,250	753X051012	754X051012
300:5	3.0	85,000	46,750	753X051013	754X051013
400:5	2.5	85,000	47,600	753X051014	754X051014
600:5	2.0	85,000	51,000	753X051015	754X051015
800:5	1.5	85,000	51,000	753X051016	754X051016



*Data subject to change without notice.*



**Construction and Insulation**

Please refer to General Product Information, item 1.8.

**Core**

Please refer to General Product Information, item 2.3.

**Primary  
Terminals**

Please refer to General Product Information, item 4.8.

**Winding**

Please refer to General Product Information, item 3.11.

**Secondary  
Winding**

Please refer to General Product Information, item 3.18.

**Terminals**

Please refer to General Product Information, item 4.20.

**Ground Terminal**

Please refer to General Product Information, item 4.23.

**Maximum Secondary Lead Length**

For simple watthour metering. Please refer to General Product Information, item 11.1 and 11.3.

**Polarity**

Please refer to General Product Information, item 7.1.

**Baseplate and Mounting**

Please refer to General Product Information, items 5.3 and 5.15, and the Applications Information section of this volume.

**Nameplate**

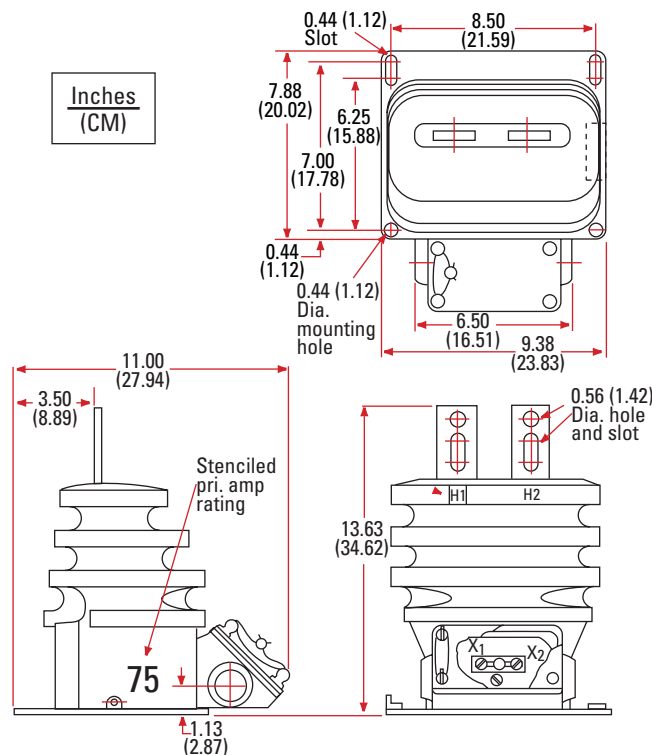
Please refer to General Product Information, item 6.2.

**Maintenance**

Please refer to General Product Information, item 10.1, and pages 24-27.

**Rating Identification**

Please refer to General Product Information, item 13.2.



**JCK-3, and -4 mechanical dimensions**

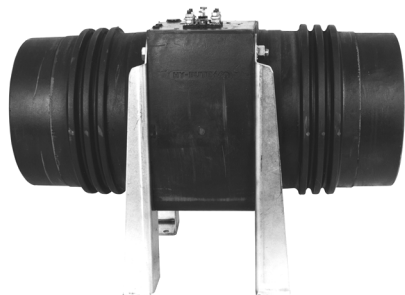


*Data subject to change without notice.*

**5,000 V to 15,000 V BIL 60 kV to 110 kV**  
**Outdoor Current**  
**JCD-3/JCD-4/JCD-5**  
**1,200 A to 4,000 A**  
**5.56" Window**  
**50/60 Hz**



When choosing your GE Instrument Transformer, don't forget to explore the benefits of using GE's 0.15 accuracy class AccuBute line. See page 37.



JCD-3 and -4 current transformer

**Application**

Designed for outdoor service; suitable for operating meters, relays and control devices.

**ANSI Meter Accuracy Classification, 60 Hz**

B-0.1 through B-1; all models ..... 0.3  
 B-2 ..... refer to data table

**Weight - Shipping/Net**

(approximate, in pounds)  
 Transformer, JCD-3, JCD-4 ..... 120/110  
 Transformer, JCD-5 ..... 150/135

**Reference Drawings**

Accuracy Curves at 60 Hz:  
 1200:5 ..... 9689241075  
 1500:5 ..... 9689241076  
 2000:5 ..... 9689241078  
 3000:5 ..... 9689241080  
 4000:5 ..... 9689241081  
 600/1200:5 ..... 9689241083 & 9689241084  
 750/1500:5 ..... 9689241085 & 9689241086  
 1000/2000:5 ..... 9689241087 & 9689241088  
 1500/3000:5 ..... 9689241089 & 9689241090  
 2000/4000:5 ..... 9689241091 & 9689241092

Excitation Curves:  
 1200:5 ..... 9689241139  
 1500:5 ..... 9689241140  
 2000:5 ..... 9689241142  
 3000:5 ..... 9689241144  
 4000:5 ..... 9689241145

Outline Drawings:  
 JCD-3 and JCD-4 ..... 4153760  
 JCD-5 ..... 4153761  
 Wiring Diagram ..... refer to page 41, figure 3

JCD-3/JCD-4/JCD-5 DATA TABLE							
Current Ratio (in Amps) Pri : Sec	ANSI Accuracy Class, 60 Hz		Continuous Thermal Current Rating Factor 30°C Ambient	One-Second Thermal Limit, Amperes	Catalog Number		
	Meter Class, Burden B-2	Relay Class			JCD-3 5,000 V BIL 60 kV	JCD-4 8,700 V BIL 75 kV	JCD-5 15,000 V BIL110 kV
<b>Single Ratio</b>							
1200:5	0.3	C200	1.33	88,800	753X031008	754X031008	755X031008
1500:5	0.3	C200	1.33	111,000	753X031009	754X031009	755X031009
2000:5	0.3	C400	1.33	148,000	753X031011	754X031011	755X031011
3000:5	0.3	C400	1.33	282,000	753X031013	754X031013	755X031013
4000:5	0.3	C200	1.33	296,000	753X031014	754X031014	755X031014
<b>Dual Ratio</b>							
600/1200:5	--	C100	2.0	88,000	753X031016	754X031016	755X031016
	0.3	C200	1.33				
750/1500:5	0.6	C100	2.0	111,000	753X031017	754X031017	755X031017
	0.3	C200	1.33				
1000/2000:5	0.6	C200	2.0	148,000	753X031018	754X031018	755X031018
	0.3	C400	1.33				
1500/3000:5	0.3	C200	2.0	282,000	753X031019	754X031019	755X031019
	0.3	C400	1.33				
2000/4000:5	0.3	C100	2.0	296,000	753X031020	754X031020	755X031020
	0.3	C200	1.33				



Data subject to change without notice.

**Construction and Insulation**

Please refer to General Product Information, items 1.2 and 1.8.

**Core**

Please refer to General Product Information, item 2.2.

**Primary Terminals**

Please refer to General Product Information, item 4.16.

**“Pig Tail” Connection**

Please refer to General Product Information, item 3.13.

**Winding**

Please refer to General Product Information, item 3.4.

**Secondary Winding**

Please refer to General Product Information, item 3.4.

**Terminals**

Please refer to General Product Information, item 4.16.

**Conduit Box**

Please refer to General Product Information, item 12.2.

**Polarity**

Please refer to General Product Information, item 7.2.

**Baseplate and Mounting**

Please refer to General Product Information, item 5.11.

**Nameplate**

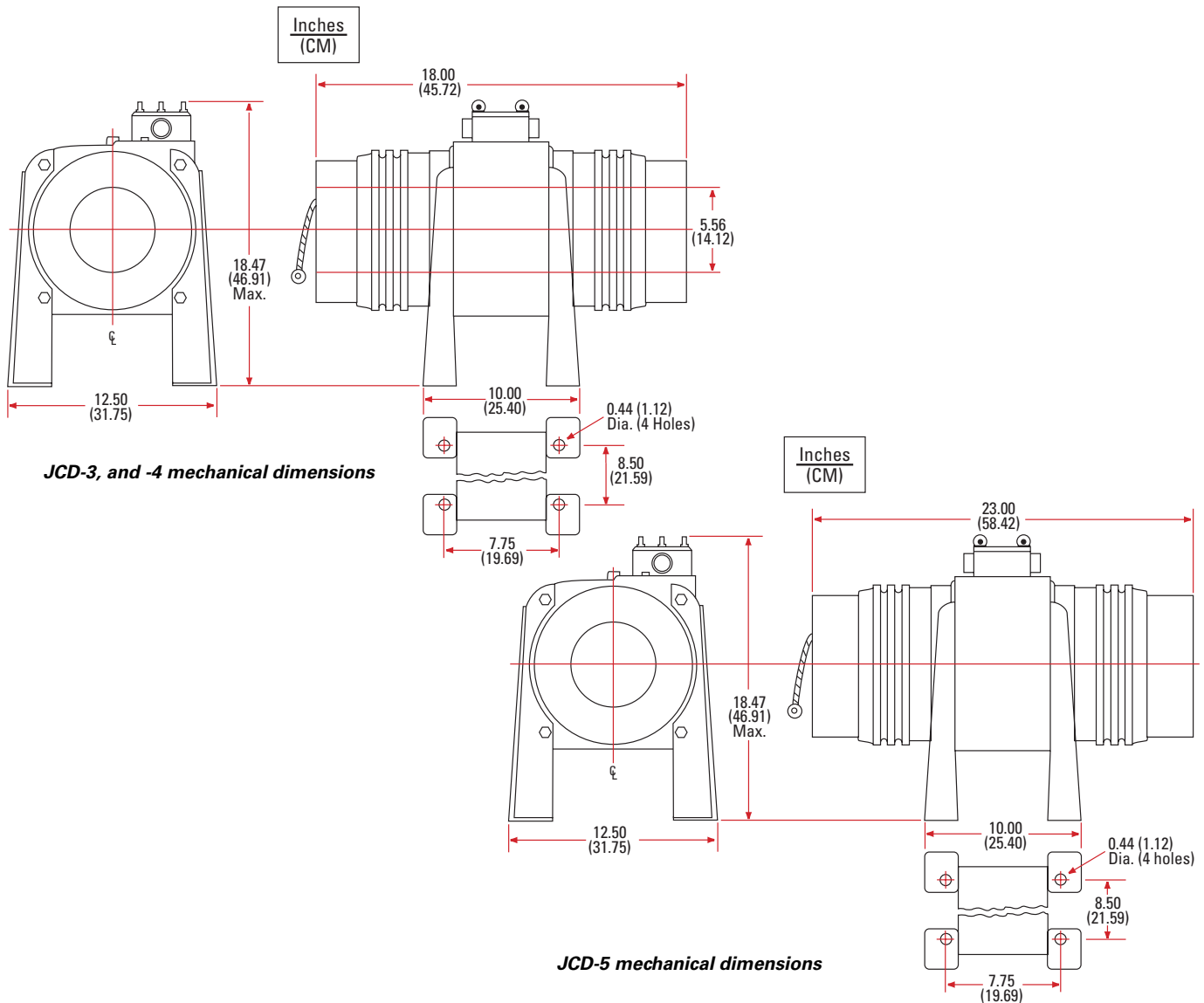
Please refer to General Product Information, item 6.1.

**Maintenance**

Please refer to General Product Information, item 10.1 and pages 24-27.

**Mechanical Rating**

Mechanical limits are omitted since, if bar-primary type transformers are properly installed, their mechanical strength is nearly unlimited.



Data subject to change without notice.

**15,000 V BIL 110 kV  
Outdoor Current  
JKW-5  
5 A to 1,200 A  
50/60 Hz**



When choosing your GE Instrument Transformer, don't forget to explore the benefits of using GE's 0.15 accuracy class AccuBute line. See page 4-26.



*JKW-5 current transformer*

**Application**

Designed for outdoor service; suitable for operating meters, relays, and control devices.

**ANSI Meter Accuracy Classification, 60 Hz**

B-0.1, B-0.2 and B-0.5; all models ..... 0.3  
B-1 and B-2 ..... refer to data table

**Weight - Shipping/Net**

(approximate, in pounds)

Transformer ..... 75/60

**Reference Drawings**

Accuracy Curves at 60 Hz:

Single Ratio

5 A to 800 A ..... 9689241499

1000 A ..... 9932600040

1200 A ..... 9689241499

Dual Ratio ..... 9932600058

Overcurrent; 5 A to 800 A ..... 9689241577

Excitation Curves:

5 to 600:5 ..... 9932600046

800:5 ..... 9932600047

1000:5 ..... 9932600041

1200:5 ..... 9932600035

Outline Drawings:

Single Secondary ..... 9932527

Dual Ratio ..... 9932528

Wiring Diagram ..... refer to page 41, figure 2

**JKW-5 DATA TABLE**

Current Ratio (in Amps) Pri : Sec	ANSI Accuracy Class, 60 Hz		Continuous Thermal Current Rating Factor 30°C Ambient	Mechanical Limit; Amperes	One-Second Thermal Limit, Amperes	Catalog Number
	Meter Class, Burden B-1, B-2	Relay Class				
<b>Single Ratio</b>						
5:5	0.3	T200	1.5	625	425	755X050101
10:5	0.3	T200	1.5	1,250	930	755X050102
15:5	0.3	T200	1.5	1,875	1,470	755X050103
20:5	0.3	T200	1.5	2,500	1,860	755X050104
25:5	0.3	T200	1.5	3,125	2,300	755X050105
30:5	0.3	T200	1.5	3,750	2,460	755X050106
40:5	0.3	T200	1.5	5,000	3,720	755X050107
50:5	0.3	T200	1.5	6,250	4,600	755X050108
75:5	0.3	T200	1.5	9,375	6,375	755X050109
100:5	0.3	T200	1.5	12,500	8,600	755X050110
150:5	0.3	T200	1.5	18,750	12,750	755X050111
200:5	0.3	T200	1.5	25,000	17,200	755X050112
300:5	0.3	T200	1.5	37,500	25,800	755X050114
400:5	0.3	T200	1.5	50,000	36,000	755X050115
600:5	0.3	T200	1.5	75,000	51,600	755X050117
800:5	0.3	T200	1.2	80,000	63,200	755X050118
1000:5	0.3 (at B-1)	T100	1.0	100,000	82,000	755X050119
1200:5	0.3	T180	1.0	100,000	82,000	755X050120
<b>Dual Ratio</b>						
50/100:5	---	T100	2.0	12,500	4,300	755X050124
	0.3	T200	1.5	12,500	8,600	
75/150:5	---	T100	2.0	18,750	6,375	755X050125
	0.3	T200	1.5	18,750	12,750	
100/200:5	---	T100	2.0	25,000	8,600	755X050126
	0.3	T200	1.5	25,000	17,200	
150/300:5	---	T100	2.0	37,500	12,900	755X050127
	0.3	T200	1.5	37,500	25,800	
200/400:5	---	T100	2.0	50,000	18,000	755X050128
	0.3	T200	1.5	50,000	36,000	
300/600:5	---	T100	2.0	75,000	25,800	755X050129
	0.3	T200	1.5	75,000	51,600	
400/800:5	---	T100	2.0	80,000	31,600	755X050130
	0.3	T200	1.2	80,000	63,200	
600/1200:5	---	T100	1.5	80,000	31,600	755X050720
	0.3	T200	1.0	80,000	63,200	



Data subject to change without notice.

**Accessories ..... Catalog Number**

Mounting Hardware	
“L” Mounting Brackets .....	8944634002
Channel Bracket .....	5466227001
Suspension Hooks .....	8944630001
Secondary Conduit Box .....	9689897001

**Construction and Insulation**

Please refer to General Product Information, items 1.2 and 1.8.

**Core**

Please refer to General Product Information, item 2.4.

**Primary  
Terminals**

Please refer to General Product Information, item 4.8.

**Winding**

Please refer to General Product Information, item 3.3.

**Secondary  
Winding**

Please refer to General Product Information, item 3.3.

**Terminals**

Please refer to General Product Information, item 4.21.

**Ground Terminal**

Please refer to General Product Information, item 4.24.

**Polarity**

Please refer to General Product Information, item 7.2.

**Baseplate and Mounting**

Please refer to General Product Information, items 5.3 and the Application Information section of this volume.

**Nameplate**

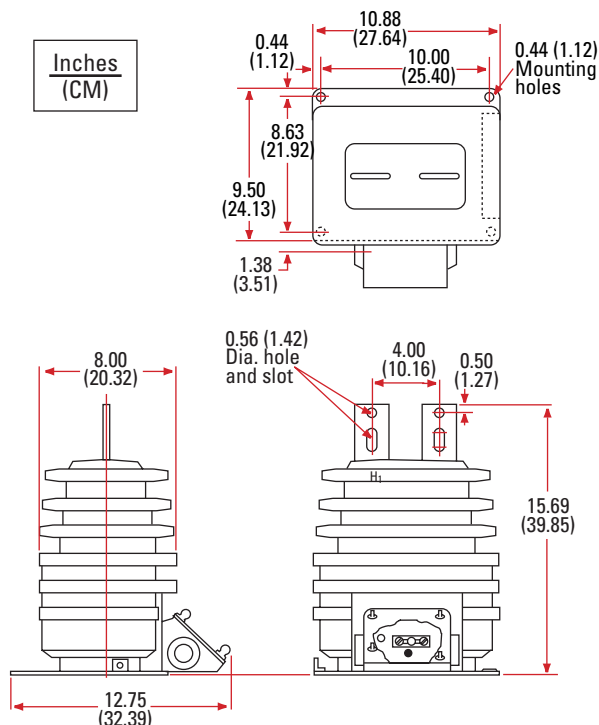
Please refer to General Product Information, item 6.2 .

**Maintenance**

Please refer to General Product Information, item 10.1 and pages 24-27.

**Rating Identification**

Please refer to General Product Information, item 13.2.



**JKW-5 mechanical dimensions**



Data subject to change without notice.

15,000 V BIL 110 kV  
Outdoor Current  
**JKW-5A**  
5 A to 1,200 A  
50/60 Hz



JKW-5A current transformer

**Application**

Designed for outdoor service; suitable for operating meters, relays, and control devices. The Type JKW-5A features 0.15 accuracy from 5% of nameplate Amps through Rating Factor Amps when applied within its burden capability.

**ANSI Meter Accuracy Classification, 60 Hz**

B-0.1 through B-0.5; all models ..... 0.15  
B-0.1 through B-1.8; all models ..... 0.3

**ANSI Relay Accuracy Classification, 60 Hz**

All models, except 755X053120 ..... T200  
Model 755X053120 ..... T180

**Weight - Shipping/Net**

(approximate, in pounds)  
Transformer ..... 75/60

**Reference Drawings**

Accuracy Curves at 60 Hz:  
5A to 600 A & 1200 A ..... 9932600131  
800 A ..... 9932600150  
Excitation Curves:  
5A to 600 A & 1200 A ..... 9932600133  
800 A ..... 9932600151  
Outline Drawing ..... 9935465  
Wiring Diagram ..... refer to page 41, figure 2

**Accessories ..... Catalog Number**

Mounting Hardware:  
“L” Mounting Brackets ..... 8944634002  
Channel Bracket ..... 5466227001  
Suspension Hooks ..... 8944630001  
Secondary Conduit Box ..... 9689897001

JKW-5A DATA TABLE

Current Ratio (in Amps) Pri : Sec	Continuous Thermal Current Rating Factor 30°C Ambient	Mechanical Limit; Amperes	One-Second Thermal Limit, Amperes	Catalog Number
5:5	1.5	625	465	755X053101
10:5	1.5	1,250	930	755X053102
15:5	1.5	1,875	1,470	755X053103
20:5	1.5	2,500	1,860	755X053104
25:5	1.5	3,125	2,300	755X053105
30:5	1.5	3,750	2,460	755X053106
40:5	1.5	5,000	3,720	755X053107
50:5	1.5	6,250	4,600	755X053108
75:5	1.5	9,375	6,375	755X053109
100:5	1.5	12,500	8,600	755X053110
150:5	1.5	18,750	12,750	755X053111
200:5	1.5	25,000	17,200	755X053112
300:5	1.5	37,500	25,800	755X053114
400:5	1.5	50,000	36,000	755X053115
600:5	1.5	75,000	51,600	755X053117
800:5	1.2	80,000	63,200	755X053118
1200:5	1.0	100,000	82,000	755X053120



Data subject to change without notice.

**Construction and Insulation**

Please refer to General Product Information, items 1.2 and 1.8.

**Core**

Please refer to General Product Information, item 2.4.

**Primary****Terminals**

Please refer to General Product Information, item 4.8.

**Winding**

Please refer to General Product Information, item 3.3.

**Secondary****Winding**

Please refer to General Product Information, item 3.3.

**Terminals**

Please refer to General Product Information, item 4.21.

**Ground Terminal**

Please refer to General Product Information, item 4.24.

**Conduit Box**

Please refer to General Product Information, item 12.1.

**Polarity**

Please refer to General Product Information, item 7.2.

**Baseplate and Mounting**

Please refer to General Product Information, item 5.3, and the Application Information section of this volume.

**Nameplate**

Please refer to General Product Information, item 6.1.

**Maintenance**

Please refer to General Product Information, item 10.1, and pages 24-27.



**15,000 V BIL 110 kV**  
**Outdoor Current**  
**JCK-5**  
**5 A to 800 A**  
**50/60 Hz**



**JCK-5 wound-type metering  
current transformer**

**Application**

Designed for outdoor service; suitable for metering applications.

**ANSI Meter Accuracy Classification, 60 Hz**

B-0.1 and B-0.2; all models ..... 0.3  
B-0.5; all models except 755X052016 ..... 0.3

**Weight - Shipping/Net**

(approximate, in pounds)

Transformer ..... 43/35

**Reference Drawings**

Accuracy Curves at 60 Hz:

10 A to 200 A, and 400 A ..... 9689241767  
300 A ..... 9689241769  
600 A and 800 A ..... 9689241768  
Outline Drawing ..... 9930917  
Wiring Diagram ..... refer to page 41, figure 2

**Accessories ..... Catalog Number**

Mounting Hardware:

“L” Mounting Brackets ..... 8944634002  
Auxiliary “L” Mounting Bracket ..... 8944270001  
Channel Bracket ..... 5466227001  
Suspension Hooks ..... 8944630001  
Secondary Conduit Box ..... 9689897001

**JCK-5 DATA TABLE**

Current Ratio (in Amps) Pri : Sec	Continuous Thermal Current Rating Factor 30°C Ambient	Mechanical Limit; Amperes	One-Second Thermal Limit, Amperes	Catalog Number
5:5	3.0	4,000	2,250	755X052016
10:5	3.0	4,000	2,250	755X052001
15:5	3.0	6,000	3,375	755X052002
20:5	3.0	8,000	4,500	755X052003
25:5	3.0	10,000	5,625	755X052004
30:5	3.0	12,000	6,750	755X052005
40:5	3.0	16,000	9,000	755X052006
50:5	3.0	20,000	11,250	755X052007
75:5	3.0	25,000	13,875	755X052008
100:5	3.0	40,000	22,500	755X052009
150:5	3.0	50,000	27,750	755X052010
200:5	3.0	66,000	45,000	755X052011
300:5	3.0	100,000	55,500	755X052012
400:5	2.5	100,000	56,000	755X052013
600:5	2.0	100,000	60,000	755X052014
800:5	1.5	100,000	60,000	755X052015



Data subject to change without notice.



**Construction and Insulation**

Please refer to General Product Information, items 1.2 and 1.8.

**Core**

Please refer to General Product Information, item 2.3.

**Primary**

**Terminals**

Please refer to General Product Information, item 4.8.

**Winding**

Please refer to General Product Information, item 3.11.

**Secondary**

**Winding**

Please refer to General Product Information, item 3.18.

**Terminals**

Please refer to General Product Information, item 4.20.

**Ground Terminal**

Please refer to General Product Information, item 4.23.

**Maximum Secondary Lead Length**

For simple watt-hour metering. Please refer to General Product Information, items 11.1 and 11.3 and the Application Information section of this volume.

**Polarity**

Please refer to General Product Information, item 7.1.

**Baseplate and Mounting**

Please refer to General Product Information, item 5.3, and the Application Information section of this volume.

**Nameplate**

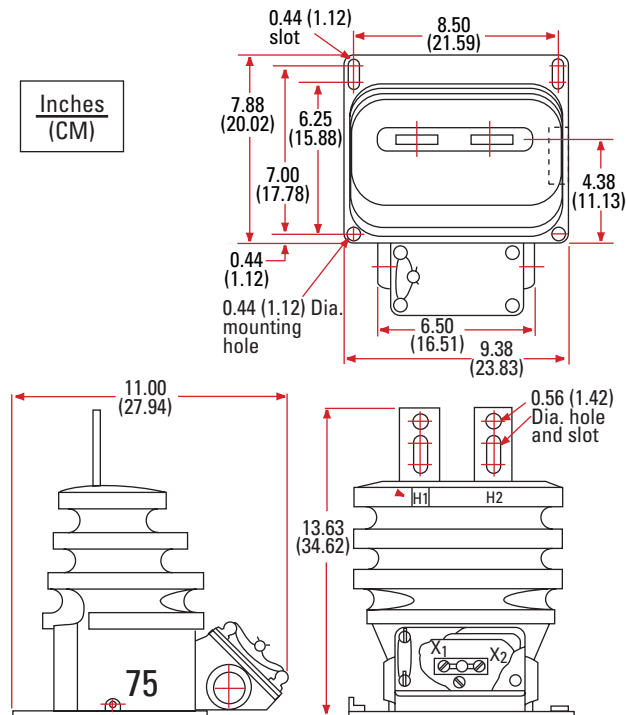
Please refer to General Product Information, item 6.2.

**Maintenance**

Please refer to General Product Information, item 10.1, and pages 24-27.

**Rating Identification**

Please refer to General Product Information, item 13.2.



**JCK-5 mechanical dimensions**



*Data subject to change without notice.*

**25,000 V to 34,500 V BIL 150 kV to 200 kV**  
**Outdoor Current, Dry-Type**  
**JKW-150/JKW-200**  
**25 A to 3,000 A**  
**50/60 Hz**



*JKW-150 current transformer*



*JKW-200 current transformer*

**Application**

Designed for outdoor service; suitable for operating meters, relays and control devices.

**ANSI Meter Accuracy Classification, 60 Hz**

B-0.1 through B-2; all models ..... 0.3

**One-Second Thermal Overcurrent Capability**

All models ..... 75 x normal

**Two-cycle Mechanical Capability**

Low ratio; minimum ..... 170 x normal

High ratio; minimum ..... 85 x normal

**Weight - Shipping/Net**

*(approximate, in pounds)*

Transformer, JKW-150 ..... 378/323

Transformer, JKW-200 ..... 403/438

**Reference Drawings**

Accuracy Curves at 60 Hz (Low Rating):

25/50 A through 300/600 A .....	9689241434
400/800 A .....	9689241395
500/1000 A .....	9689241393
600/1200 A .....	9689241391
800/1600 A .....	9689241389
1000/2000 A .....	9689241387
1500/3000 A .....	9689241385

Accuracy Curves at 60 Hz (High Rating):

25/50 A through 300/600 A .....	9689241433
400/800 A .....	9689241396
500/1000 A .....	9689241394
600/1200 A .....	9689241392
800/1600 A .....	9689241390
1000/2000 A .....	9689241388
1500/3000 A .....	9689241386

**JKW-150/JKW-200 DATA TABLE**

Current Ratio (in Amps) Pri : Sec	ANSI Accuracy Class, 60 Hz Relay Class	Continuous Thermal Current Rating Factor 30°C Ambient ①	Catalog Number	
			JKW-150 25,000 V BIL 150 kV	JKW-200 34,500 V BIL 200 kV
			25/50:5	T200/T400
50/100:5	T200/T400	2.0/1.5	756X030012	757X030012
75/150:5	T200/T400	2.0/1.5	756X030011	757X030011
100/200:5	T200/T400	2.0/1.5	756X030010	757X030010
150/300:5	T200/T400	2.0/1.5	756X030009	757X030009
200/400:5	T200/T400	2.0/1.5	756X030008	757X030008
300/600:5	T200/T400	2.0/1.5	756X030007	757X030007
400/800:5	T200/T400	2.0/1.5	756X030006	757X030006
500/1000:5	T200/T400	2.0/1.5	756X030005	757X030005
600/1200:5	T200/T400	2.0/1.5	756X030004	757X030004
800/1600:5	T200/T400	2.0/1.5	756X030003	757X030003
1000/2000:5	T200/T400	2.0/1.5	756X030002	757X030002
1500/3000:5	T400/T800	1.5/1.33	756X030001	757X030001

Note

① First number given is for lower primary Ampere rating (tapped secondary); second number is for higher primary Ampere rating (full secondary).



*Data subject to change without notice.*

**Reference Drawings (continued)**

Excitation Curves:

25/50 A through 300/600 A .....	9689241337
400/800 A .....	9689241353
500/1000 A .....	9689241351
600/1200 A .....	9689241349
800/1600 A .....	9689241347
1000/2000 A .....	9689241345
1500/3000 A .....	9689241343

Overcurrent Curves (Low Rating):

25/50 A through 300/600 A .....	9689241341
400/800 A .....	9689241419
500/1000 A .....	9689241417
600/1200 A .....	9689241415
800/1600 A .....	9689241413
1000/2000 A .....	9689241411
1500/3000 A .....	9689241409

Overcurrent Curves (High Rating):

25/50 A through 300/600 A .....	9689241342
400/800 A .....	9689241420
500/1000 A .....	9689241418
600/1200 A .....	9689241416
800/1600 A .....	9689241414
1000/2000 A .....	9689241412
1500/3000 A .....	9689241410

Outline Drawings:

25/50:5 A through 300/600:	
5 A Ratings .....	9926279
400/800:5 A through 1500/3000:	
5 A Ratings .....	9926278

Wiring Diagram ..... refer to page 42, figure 4a

**Construction and Insulation**

Please refer to General Product Information, item 1.3.

**Core**

Please refer to General Product Information, item 2.2.

**Bushing**

Please refer to General Product Information, item 8.1.

**Primary Terminals**

Please refer to General Product Information, item 4.10.

**Winding**

Please refer to General Product Information, item 3.12.

**Secondary Winding**

Please refer to General Product Information, item 3.19.

**Terminals**

Please refer to General Product Information, item 4.22.

**Polarity**

Please refer to General Product Information, item 7.1.

**Baseplate and Mounting**

Please refer to General Product Information, item 5.2.

**Nameplate**

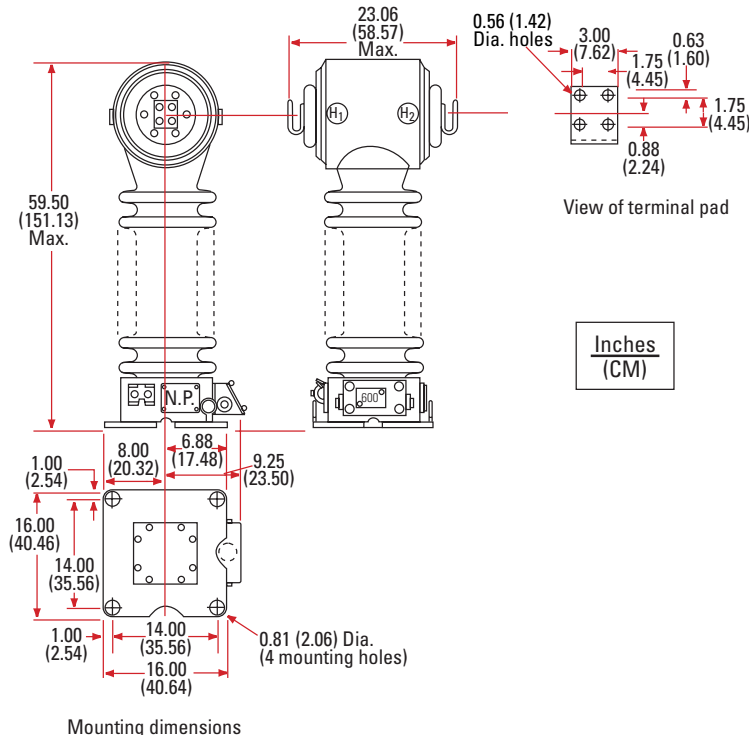
Please refer to General Product Information, item 6.2.

**Maintenance**

Please refer to General Product Information, item 10.1, and pages 24-27.

**Tests**

Please refer to General Product Information, item 9.1.



**JKW-150, -200 mechanical dimensions**



Data subject to change without notice.

**46,000 V to 69,000 V BIL 250 kV to 350 kV**  
**Outdoor Current, Dry-Type**  
**JKW-250/JKW-350**  
**25 A to 3,000 A**  
**50/60 Hz**



*JKW-250 current transformer*



*JKW-350 current transformer*

**Application**

Designed for outdoor service; suitable for operating meters, relays and control devices.

**ANSI Meter Accuracy Classification, 60 Hz**

B-0.1 through B-2; all models ..... 0.3

**One-Second Thermal Overcurrent Capability**

All models ..... 75 x normal

**Two-cycle Mechanical Capability**

Low ratio; minimum ..... 170 x normal  
 High ratio; minimum ..... 85 x normal

**Weight - Shipping/Net**

*(approximate, in pounds)*

Transformer, JKW-250 ..... 633/543  
 Transformer, JKW-350 ..... 683/593

**Reference Drawings**

Accuracy Curves at 60 Hz (Low Rating):

25/50 A through 300/600 A ..... 9689241435  
 400/800 A ..... 9689241407  
 500/1000 A ..... 9689241405  
 600/1200 A ..... 9689241403  
 800/1600 A ..... 9689241401  
 1000/2000 A ..... 9689241399  
 1500/3000 A ..... 9689241397

Accuracy Curves at 60 Hz (High Rating):

25/50 A through 300/600 A ..... 9689241436  
 400/800 A ..... 9689241408  
 500/1000 A ..... 9689241406  
 600/1200 A ..... 9689241404  
 800/1600 A ..... 9689241402  
 1000/2000 A ..... 9689241400  
 1500/3000 A ..... 9689241398

**JKW-250/JKW-350 DATA TABLE**

Current Ratio (in Amps) Pri : Sec	ANSI Accuracy Class, 60 Hz Relay Class	Continuous Thermal Current Rating Factor 30°C Ambient ①	Catalog Number	
			JKW-250 46,000 V BIL 250 kV	JKW-350 69,000 V BIL 350 kV
25/50:5	T200/T400	2.0/1.5	758X030013	759X030013
50/100:5	T200/T400	2.0/1.5	758X030012	759X030012
75/150:5	T200/T400	2.0/1.5	758X030011	759X030011
100/200:5	T200/T400	2.0/1.5	758X030010	759X030010
150/300:5	T200/T400	2.0/1.5	758X030009	759X030009
200/400:5	T200/T400	2.0/1.5	758X030008	759X030008
300/600:5	T200/T400	2.0/1.5	758X030007	759X030007
400/800:5	T200/T400	2.0/1.5	758X030006	759X030006
500/1000:5	T200/T400	2.0/1.5	758X030005	759X030005
600/1200:5	T200/T400	2.0/1.5	758X030004	759X030004
800/1600:5	T200/T400	2.0/1.5	758X030003	759X030003
1000/2000:5	T200/T400	2.0/1.5	758X030002	759X030002
1500/3000:5	T400/T800	1.5/1.33	758X030001	759X030001

Note

① First number given is for lower primary Ampere rating (tapped secondary); second number is for higher primary Ampere rating (full secondary).



*Data subject to change without notice.*

**Reference Drawings (continued)**

Excitation Curves:

25/50 A through 300/600 A .....	9689241338
400/800 A .....	9689241354
500/1000 A .....	9689241352
600/1200 A .....	9689241350
800/1600 A .....	9689241348
1000/2000 A .....	9689241346
1500/3000 A .....	9689241344

Overcurrent Curves (Low Rating):

25/50 A through 300/600 A .....	9689241440
400/800 A .....	9689241431
500/1000 A .....	9689241429
600/1200 A .....	9689241427
800/1600 A .....	9689241425
1000/2000 A .....	9689241423
1500/3000 A .....	9689241421

Overcurrent Curves (High Rating):

25/50 A through 300/600 A .....	9689241441
400/800 A .....	9689241432
500/1000 A .....	9689241430
600/1200 A .....	9689241428
800/1600 A .....	9689241426
1000/2000 A .....	9689241424
1500/3000 A .....	9689241422

Outline Drawings:

25/50:5 A through 300/600:	
5 A Ratings .....	9926279
400/800:5 A through 1500/3000:	
5 A Ratings .....	9926278

Wiring Diagram ..... refer to page 42, figure 4a

**Construction and Insulation**

Please refer to General Product Information, item 1.3.

**Core**

Please refer to General Product Information, item 2.2.

**Bushing**

Please refer to General Product Information, item 8.1.

**Primary**

**Terminals**

Please refer to General Product Information, item 4.10.

**Winding**

Please refer to General Product Information, item 3.12.

**Secondary**

**Winding**

Please refer to General Product Information, item 3.19.

**Terminals**

Please refer to General Product Information, item 4.22.

**Polarity**

Please refer to General Product Information, item 7.1.

**Baseplate and Mounting**

Please refer to General Product Information, item 5.2.

**Nameplate**

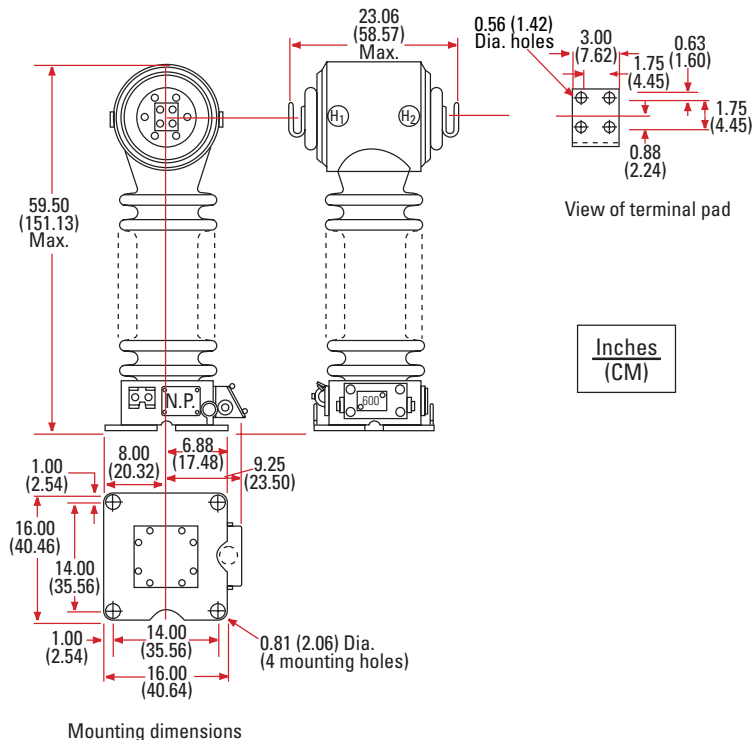
Please refer to General Product Information, item 6.2.

**Maintenance**

Please refer to General Product Information, item 10.1, and pages 24-27.

**Tests**

Please refer to General Product Information, item 9.1.



**JKW-250, -350 mechanical dimensions**



*Data subject to change without notice.*

**25,000 V BIL 150 kV**  
**Outdoor Current**  
**JKW-6**  
**5 A to 1,200 A**  
**50/60 Hz**

**Application**

Designed for outdoor service; suitable for operating meters, relays, and control devices.

**ANSI Meter Accuracy Classification, 60 Hz**

B-0.1 – B-0.9; all models ..... 0.3  
 B-1 and B-2 ..... refer to data table



When choosing your GE Instrument Transformer, don't forget to explore the benefits of using GE's 0.15 accuracy class AccuBute line. See page 4-36.



**JKW-6**  
*current transformer*

**JKW-6 DATA TABLE**

Current Ratio (in Amps) Pri : Sec	ANSI Accuracy Class, 60 Hz			Continuous Thermal Current Rating Factor 30°C Ambient	Mechanical Limit; Amperes	One-Second Thermal Limit, Amperes	Catalog Number
	Meter Class, Burden		Relay Class				
	B-1	B-2					
<b>Single Ratio</b>							
5:5	0.6	---	T100	3.0	1,850	1,000	756X050001
10:5	0.6	---	T100	3.0	3,700	2,000	756X050002
15:5	0.6	---	T100	3.0	5,550	3,000	756X050003
20:5	0.6	---	T100	3.0	7,400	4,000	756X050004
25:5	0.6	---	T100	3.0	9,250	5,000	756X050005
50:5	0.6	---	T100	3.0	12,500	10,000	756X050006
75:5	0.6	---	T100	3.0	18,750	15,000	756X050007
100:5	0.6	---	T100	3.0	25,000	20,000	756X050008
150:5	0.6	---	T100	3.0	37,500	30,000	756X050009
200:5	0.6	---	T100	3.0	50,000	40,000	756X050010
300:5	0.6	---	T100	2.8	75,000	60,000	756X050011
400:5	0.6	---	T100	2.5	80,000	64,000	756X050012
600:5	0.6	---	T100	2.0	100,000	64,000	756X050013
800:5	0.6	---	T100	1.5	100,000	64,000	756X050014
<b>Single Ratio</b>							
10:5	0.3	0.3	T200	1.5	1,850	1,000	756X050022
15:5	0.3	0.3	T200	1.5	2,775	1,500	756X050023
20:5	0.3	0.3	T200	1.5	3,700	2,000	756X050024
25:5	0.3	0.3	T200	1.5	4,625	2,500	756X050025
50:5	0.3	0.3	T200	1.5	9,250	5,000	756X050026
75:5	0.3	0.3	T200	1.5	9,375	7,500	756X050027
100:5	0.3	0.3	T200	1.5	12,500	10,000	756X050028
150:5	0.3	0.3	T200	1.5	18,750	15,000	756X050029
200:5	0.3	0.3	T200	1.5	25,000	20,000	756X050030
300:5	0.3	0.3	T200	1.5	37,500	30,000	756X050031
400:5	0.3	0.3	T200	1.5	50,000	40,000	756X050032
600:5	0.3	0.3	T200	1.5	75,000	60,000	756X050033
800:5	0.3	0.3	T200	1.25	80,000	64,000	756X050034
1200:5	0.3	0.3	T200	1.0	150,000	120,000	756X050035
<b>Dual Ratio</b>							
10/20:5	---	---	T100	2.0	3,700	1,000	756X050041
	0.3	0.3	T200	1.5	3,700	2,000	
25/50:5	---	---	T100	2.0	9,250	2,500	756X050042
	0.3	0.3	T200	1.5	9,250	5,000	
50/100:5	---	---	T100	2.0	12,500	5,000	756X050043
	0.3	0.3	T200	1.5	12,500	10,000	
75/150:5	---	---	T100	2.0	18,750	7,500	756X050044
	0.3	0.3	T200	1.5	18,750	15,000	
100/200:5	---	---	T100	2.0	25,000	10,000	756X050045
	0.3	0.3	T200	1.5	25,000	20,000	
150/300:5	---	---	T100	2.0	37,500	15,000	756X050046
	0.3	0.3	T200	1.5	37,500	30,000	
200/400:5	---	---	T100	2.0	50,000	20,000	756X050047
	0.3	0.3	T200	1.5	50,000	40,000	
300/600:5	---	---	T100	2.0	75,000	30,000	756X050048
	0.3	0.3	T200	1.5	75,000	60,000	
400/800:5	---	---	T100	1.5	100,000	40,000	756X050049
	0.3	0.3	T200	1.25	100,000	80,000	
600/1200:5	---	---	T100	1.5	125,000	50,000	756X050050
	0.3	0.3	T200	1.25	125,000	100,000	



Data subject to change without notice.



**Weight - Shipping/Net**

*(approximate, in pounds)*

Transformer ..... 95/80

**Reference Drawings**

Accuracy Curves at 60 Hz:

Single-Ratio

5 A to 300 A, and 600 A; 756X050001 through 756X050011, and 13 ..... 9689241662  
 400 A and 800 A; 756X050012 and 756X050014 ..... 9689241663

Dual-Ratio

Lower Tap Ratings; 756X050041 through 756X050048 ..... 9689241858  
 Higher Tap Ratings; 756X050041 through 756X050048 ..... 9689241857

Excitation Curve ..... 9932600052

Outline Drawings:

T100 ..... 9928879  
 T200 ..... 9930922  
 Dual Ratio ..... 9932487

Wiring Diagram ..... refer to page 42, figure 4

**Accessories ..... Catalog Number**

Mounting Hardware:

“L” Mounting Brackets ..... 8944634001  
 Auxiliary “L” Mounting Bracket ..... 8944270001  
 Channel Bracket ..... 5466227001  
 Suspension Hooks ..... 8944630001  
 Secondary Conduit Box ..... 9689897001

**Construction and Insulation**

Please refer to General Product Information, items 1.2 and 1.8.

**Core**

Please refer to General Product Information, item 2.4.

**Primary**

**Terminals**

Please refer to General Product Information, item 4.8.

**Winding**

Please refer to General Product Information, item 3.3.

**Secondary**

**Winding**

Please refer to General Product Information, item 3.3.

**Terminals**

Please refer to General Product Information, item 4.21.

**Ground Terminal**

Please refer to General Product Information, item 4.23.

**Conduit Box**

Please refer to General Product Information, item 12.1.

**Maximum Secondary Lead Length**

For simple watt-hour metering. Please refer to General Product Information, item 11.1 and 11.3 and the Application Information section of this volume.

**Polarity**

Please refer to General Product Information, item 7.1.

**Baseplate and Mounting**

Please refer to General Product Information, items 5.3, 5.15 and the Application Information section of this volume.

**Nameplate**

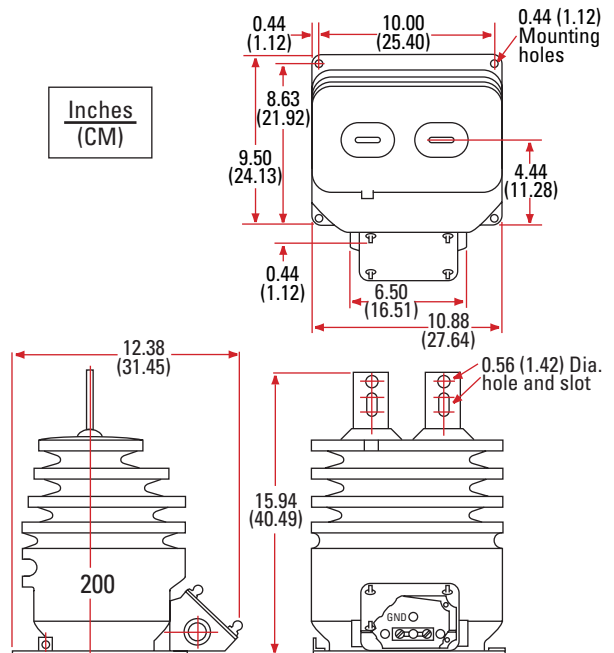
Please refer to General Product Information, item 6.1.

**Maintenance**

Please refer to General Product Information, item 10.1 and pages 24-27.

**Rating Identification**

Please refer to General Product Information, item 13.2.



**JKW-6 mechanical dimensions**



*Data subject to change without notice.*

25,000 V BIL 150 kV  
Outdoor Current  
**JKW-6A**  
10 A to 1,200 A  
50/60 Hz



JKW-6A wound type metering current transformer

### Application

Designed for outdoor service; suitable for operating meters, relays and control devices. The Type JKW-6A features 0.15 accuracy from 5% of nameplate Amps through Rating Factor Amps when applied within its burden capability.

### ANSI Meter Accuracy Classification, 60 Hz

B-0.1 through B-0.5; all models ..... 0.15  
B-0.1 through B-1.8; all models ..... 0.3

### ANSI Relay Accuracy Classification, 60 Hz

All models except 756X051034 and  
756X051035 ..... T200  
Models 756X051034 and 756X051035 ..... T180

### Continuous Thermal Current Rating Factor

30°C Ambient;  
All models except 756X051034 and 756X051035... 1.5  
Models 756X051034 and 756X051035 ..... 1.0

### Weight - Shipping/Net

(approximate, in pounds)  
Transformer ..... 90/75

### Reference Drawings

Accuracy Curves at 60 Hz:  
5 A to 600 A, and 1200 A ..... 9932600141  
800 A ..... 9932600152  
Excitation Curves:  
5 A to 600 A, and 1200 A ..... 9932600142  
800 A ..... 9932600153  
Outline Drawing ..... 9935468  
Wiring Diagram ..... refer to page 42, figure 4

### Accessories ..... Catalog Number

Mounting Hardware:  
"L" Mounting Brackets ..... 8944634002  
Channel Bracket ..... 5466227001  
Suspension Hooks ..... 8944630001  
Secondary Conduit Box ..... 9689897001

JKW-6A DATA TABLE			
Current Ratio (in Amps) Pri : Sec	Mechanical Limit; Amperes	One-Second Thermal Limit, Amperes	Catalog Number
5:5	925	500	756X051021
10:5	1,850	1,000	756X051022
15:5	2,775	1,500	756X051023
20:5	3,700	2,000	756X051024
25:5	4,625	2,500	756X051025
50:5	9,250	5,000	756X051026
75:5	9,375	7,500	756X051027
100:5	12,500	10,000	756X051028
150:5	18,750	15,000	756X051029
200:5	25,000	20,000	756X051030
300:5	37,500	30,000	756X051031
400:5	50,000	40,000	756X051032
600:5	75,000	60,000	756X051033
800:5	100,000	80,000	756X051034
1200:5	150,000	120,000	756X051035



Data subject to change without notice.



**Construction and Insulation**

Please refer to General Product Information, items 1.2 and 1.8.

**Core**

Please refer to General Product Information, item 2.4.

**Primary****Terminals**

Please refer to General Product Information, item 4.8.

**Winding**

Please refer to General Product Information, item 3.3.

**Secondary****Winding**

Please refer to General Product Information, item 3.3.

**Terminals**

Please refer to General Product Information, item 4.21.

**Ground Terminal**

Please refer to General Product Information, item 4.23.

**Conduit Box**

Please refer to General Product Information, item 12.1.

**Maximum Secondary Lead Length**

For simple watt-hour metering. Please refer to General Product Information, items 11.1 and 11.3 and the Application Information section of this volume.

**Polarity**

Please refer to General Product Information, item 7.1.

**Baseplate and Mounting**

Please refer to General Product Information, item 5.3, and the Application Information section of this volume.

**Nameplate**

Please refer to General Product Information, item 6.1.

**Maintenance**

Please refer to General Product Information, item 10.1 and pages 24-27.

**Rating Identification**

Please refer to General Product Information, item 13.2.



**34,500 V BIL 200 kV**  
**Outdoor Current**  
**JKW-7**  
**10 A to 800 A**  
**50/60 Hz**

**Application**

Designed for outdoor service; suitable for metering applications.

**ANSI Meter Accuracy Classification, 60 Hz**

B-0.1 and B-0.2; all models ..... 0.3  
 B-0.5 and B-0.9 ..... refer to data table

**Weight - Shipping/Net**

(approximate, in pounds)

Transformer, without base ..... 78/72

**Reference Drawings**

Accuracy Curves at 60 Hz:

Single-Ratio

10 A to 200 A, and 400 A ..... 9689241906  
 300 A ..... 9689241907  
 600 A and 800 A ..... 9689241908

Dual-Ratio

10/20 A to 150/300 A and 300/600 A Models,  
 Low Ratio ..... 9932600014  
 High Ratio ..... 9932600015



*JKW-7 wound-type metering current transformer*

JKW-7 DATA TABLE						
Current Ratio (in Amps) Pri : Sec	ANSI Accuracy Classification, 60 Hz Meter Class, Burden		Continuous Thermal Current Rating Factor 30°C Ambient	Mechanical Limit, Amperes	One-Second Thermal Limit, Amperes	Catalog Number
	B-0.5	B-0.9				
<b>Single Ratio</b>						
10:5	0.3	0.6	3.0	4,000	2,250 ①	757X050001
15:5	0.3	0.6	3.0	6,000	3,375 ①	757X050002
20:5	0.3	0.6	3.0	8,000	4,500 ①	757X050003
25:5	0.3	0.6	3.0	10,000	5,625 ①	757X050004
30:5	0.3	0.6	3.0	12,000	6,750 ①	757X050005
40:5	0.3	0.6	3.0	16,000	9,000 ①	757X050006
50:5	0.3	0.6	3.0	20,000	11,250 ①	757X050007
75:5	0.3	0.6	3.0	24,975	13,875 ①	757X050008
100:5	0.3	0.6	3.0	40,000	22,500 ①	757X050009
150:5	0.3	0.6	3.0	49,950	27,750 ①	757X050010
200:5	0.3	0.6	3.0	66,600	45,000 ①	757X050011
300:5	0.3	0.6	3.0	100,000	55,500 ①	757X050012
400:5	0.3	0.6	2.5	100,000	56,000 ①	757X050013
600:5	0.3	0.6	2.0	100,000	60,000	757X050014
800:5	0.3	0.6	1.5	100,000	60,000	757X050015
<b>Dual Ratio</b>						
10/20:5	---	---	3.0	4,780	2,250 ①	757X050018
	0.3	0.6	2.0	4,780	2,760 ①	
15/30:5	---	---	3.0	7,980	3,375 ①	757X050019
	0.3	0.6	2.0	7,980	4,500 ①	
20/40:5	---	---	3.0	10,320	4,500 ①	757X050020
	0.3	0.6	2.0	10,320	5,600 ①	
25/50:5	---	---	3.0	12,150	5,625 ①	757X050021
	0.3	0.6	2.0	12,150	6,750 ①	
50/100:5	---	---	3.0	24,900	11,250 ①	757X050022
	0.3	0.6	2.0	24,900	15,000 ①	
75/150:5	---	---	3.0	39,900	16,875 ①	757X050023
	0.3	0.6	2.0	39,900	21,000 ①	
100/200:5	---	---	3.0	49,800	22,500 ①	757X050024
	0.3	0.6	2.0	49,800	25,000 ①	
150/300:5	---	---	3.0	66,600	33,750 ①	757X050025
	0.3	0.6	2.0	66,600	40,500 ①	
200/400:5	---	---	3.0	66,400	40,000 ①	757X050026
	0.3	0.3	2.0	66,400	40,000 ①	
300/600:5	---	---	3.0	99,600	63,000 ①	757X050027
	0.3	0.6	2.0	99,600	63,000 ①	
400/800:5	0.3	---	2.0	100,000	64,000 ①	757X050028
	0.3	0.3	1.5	100,000	64,000 ①	

Note

① With burden of B-0.1 or greater.



Data subject to change without notice.

**Reference Drawings (continued)**

200/400 A and 400/800 A Models,	
Low Ratio .....	9932600016
High Ratio .....	9932600017
Excitation Curves:	
10 A to 200:5 .....	9932600105
400:5 .....	9932600207
600:5 .....	9932600106
Outline Drawings:	
JKW-7 Single-Ratio .....	9932437
JKW-7 Dual-Ratio .....	9935403
Wiring Diagram .....	refer to page 42, figure 4

**Accessories ..... Catalog Number**

Mounting Hardware:	
“L” Mounting Brackets .....	8944634002
Channel Bracket .....	5466227001
Suspension Hooks .....	8944630
Secondary Conduit Box .....	9689897001

**Construction and Insulation**

Please refer to General Product Information, items 1.2 and 1.8.

**Core**

Please refer to General Product Information, item 2.2.

**Primary**

**Terminals**

Please refer to General Product Information, item 4.8.

**Winding**

Please refer to General Product Information, item 3.11.

**Secondary**

**Winding**

Please refer to General Product Information, item 3.18.

**Terminals**

Please refer to General Product Information, item 4.20.

**Ground Terminal**

Please refer to General Product Information, item 4.23.

**Conduit Box**

Please refer to General Product Information item 12.1.

**Maximum Secondary Lead Length**

For use in simple watt-hour metering. Please refer to General Product Information, items 11.1 and 11.2 and the Application Information section of this volume.

**Polarity**

Please refer to General Product Information, item 7.1.

**Baseplate and Mounting**

Please refer to General Product Information, items 5.3 and 5.15, and the Application Information section of this volume.

**Nameplate**

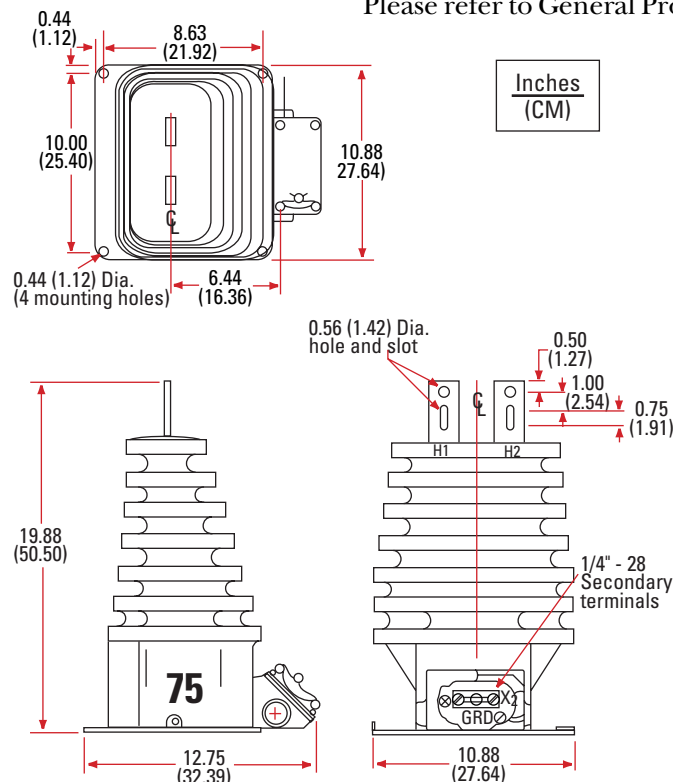
Please refer to General Product Information, item 6.2.

**Maintenance**

Please refer to General Product Information, item 10.1 and pages 24-27.

**Rating Identification**

Please refer to General Product Information, item 13.2.



JKW-7 mechanical dimensions



Data subject to change without notice.