

# Multilin D60



## High-Speed Transmission Line Protection with Single and Three-Pole Tripping

The Multilin™ D60 is a high-end, cost-effective distance protection relay intended for protecting transmission lines and cables, providing reliable and secure operation even under the worst case power system conditions. Part of the Universal Relay (UR) family, the D60 comes with a variety of versatile features, truly integrating protection, monitoring, metering, communication and control in one easy-to-use device.

### Key Benefits

- High-speed five zone quad or mho, phase and ground distance protection for greater system reliability
- Reliable and secure protection on series compensated lines
- Superior phase selection algorithm ensures secure high-speed single-pole tripping
- Supports multiple standard and customizable pilot schemes for fast fault clearance within the protected zone
- Simplified teleprotection interfaces with direct I/O communications hardware for transfer trip and pilot-aided distance schemes
- Embedded Synchrophasor measurement capabilities (per IEEE® C37.118), eliminating the need for dedicated PMUs and support for synchrophasor multi-cast (per IEC® 61850-90-5) reducing bandwidth and communications infrastructure costs
- An integrated large, full color display, provides real-time visualization and control of the protected bay, via a bay mimic as well as annunciator functionality and graphical visualization of phasors
- Advanced IEC 61850 Ed. 2 certified implementation, complete settings via SCL files and IEC 61850-9-2 process bus solution enable resource and platform managing optimization and reduce cost of ownership
- Routable GOOSE (R-GOOSE) enables GOOSE messages going beyond the substation, which enables wide area protection and control applications
- Increased network availability via failover time reduced to zero through IEC® 62439-3 “PRP” support
- Supports IEEE C37.111-1999/2013, IEC 60255-24 Ed 2.0 COMTRADE standard

### Applications

- Overhead lines and underground cables of different voltage levels
- Single and dual-breaker circuits requiring single/three pole autoreclosing and independent synchrocheck
- Circuits with in-zone power transformers and tapped transformer feeders
- Secure application with Capacitively-Coupled Voltage Transformers (CCVTs)
- Backup protection for generators, transformers and reactors

## Protection & Control

- Phase & Ground distance (5 zones) with independent settings
- Reverse power, out-of-step tripping and power swing blocking
- Extensive back-up protection and four-shot dual breaker autorecloser
- Protection and control functionality in one box, reducing the number of devices
- High density inputs/outputs to support the control of many switchyard assets – all from one powerful device
- Integrated large, full color display, for real-time visualization and control of the protected bay

## Advanced Communications

- 3 independent Ethernet ports with IEEE 1588 support
- Advanced IEC 61850 Edition 2 implementation and IEC 61850-9-2 process bus support
- Direct I/O for secure, high-speed exchange of data for DTT & pilot-aided schemes

## Cyber Security

- CyberSentry™ provides high-end cyber security aligned to industry standards and services (NERC® CIP, AAA, Radius, RBAC, Syslog)

## Monitoring & Metering

- Advanced recording capabilities with high-capacity event recorder, configurable and extended waveform capture and data logger
- P & M class synchrophasors of voltage, current, and sequence components



## Protection & Control

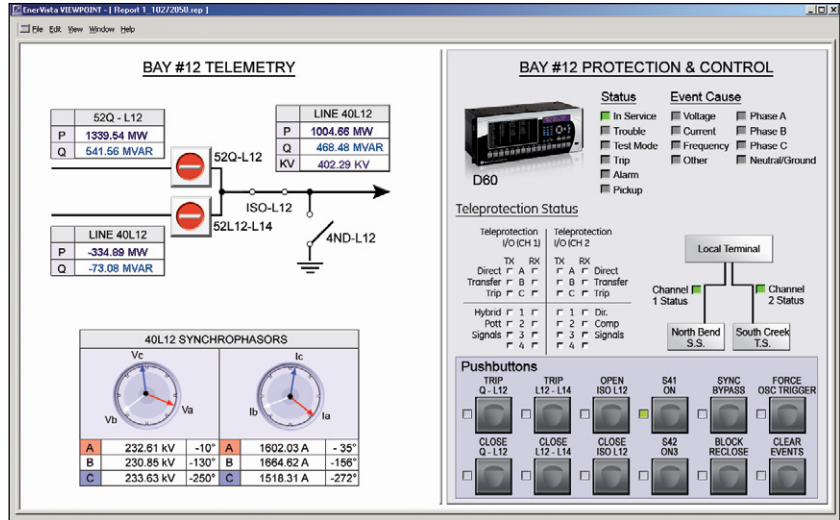
As part of the UR family of Protection & Control devices, the D60 offers a high degree of modularity in its design and functionality, providing superior performance while meeting the toughest requirements of the marketplace.

Advanced protection and control features of this relay includes:

### Distance Protection

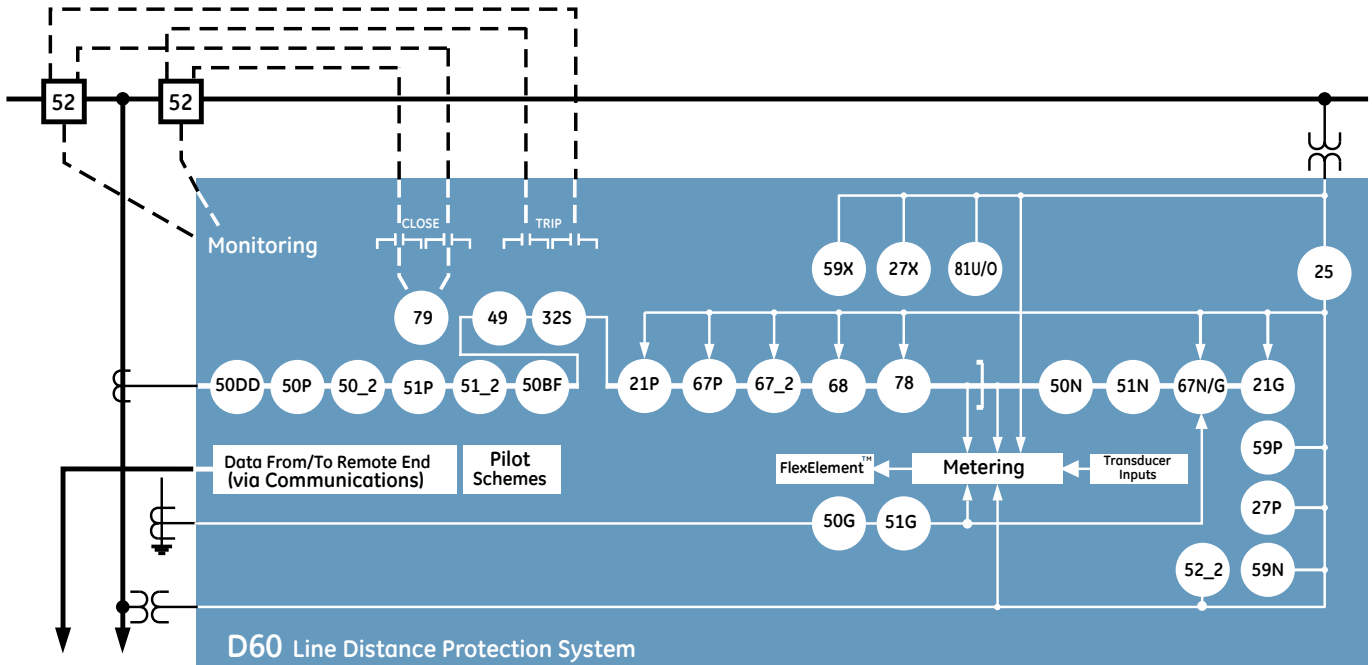
The core of the D60 relay is the distance function providing a high degree of sensitivity and selectivity for all types of faults. The distance function comes with five zones of phase distance and ground distance, providing the user maximum flexibility to cater to different applications, including primary line protection and backup protection for busbars, generators, transformers and reactors. The relay can be applied to power systems with different earthing conditions, lines with in-zone transformers or tapped transformer

## D60 - Protection, Metering, Monitoring and Control



The D60 is the single point for protection, control, metering, and monitoring in one integrated device that can be easily connected directly to HMI or SCADA monitoring and control systems.

## Functional Block Diagram



### ANSI® Device Numbers & Functions

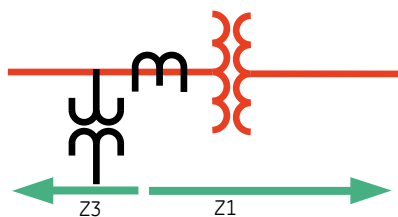
DEVICE NUMBER	FUNCTION
21G	Ground Distance
21P	Phase Distance
25	Synchronism Check
27P	Phase Undervoltage
27X	Auxiliary Undervoltage
32	Sensitive Reverse Power
49	Thermal Overload
50BF	Breaker Failure
50DD	Current Disturbance Detector
50G	Ground Instantaneous Overcurrent
50N	Neutral Instantaneous Overcurrent

DEVICE NUMBER	FUNCTION
50P	Phase Instantaneous Overcurrent
50_2	Negative Sequence Instantaneous Overcurrent
51G	Ground Time Overcurrent
51N	Neutral Time Overcurrent
51P	Phase Time Overcurrent
51_2	Negative Sequence Time Overcurrent
52	AC Circuit Breaker
59C	Compensated Overvoltage
59N	Neutral Overvoltage
59P	Phase Overvoltage
59X	Auxiliary Overvoltage

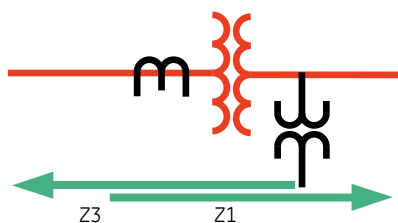
DEVICE NUMBER	FUNCTION
59_2	Negative Sequence Overvoltage
67N	Neutral Directional Overcurrent
67P	Phase Directional Overcurrent
67_2	Negative Sequence Directional Overcurrent
68	Power Swing Blocking
78	Out-of-Step Tripping
79	Automatic Recloser
81U/O	Under/Over Frequency
ROCOF	Rate of Change of Frequency

feeders, and overhead lines with series compensation. Each zone element for the phase and ground distance can be independently set as quad or mho characteristics with the flexibility of designing different characteristic shapes to suit different power system conditions.

The advanced comparator-based distance elements provide the utmost security, sensitivity and selectivity for different types of faults. Superior digital filtering techniques provide secure and optimum reach accuracy even under worst case CVT transients. Secure directional discrimination is achieved by using positive sequence memory voltage polarization, providing reliable directionality for worst case close-in faults. Dual distance algorithms deliver exceptional security and speed performance to ensure average operating times of 1.5 cycles for 75% line reach and SIR 30, and <2.5 cycles for 90% line reach and SIR 60. The D60 employs a well-proven algorithm for phase selection, which provides faster, secure and reliable faulted phase identification for single-pole tripping and proper fault distance calculation for a variety of power system conditions. An additional voltage monitoring function provides extra security to the distance element, which can be used to block the distance elements under voltage source fuse failure conditions.



Z1 looking through a transformer.



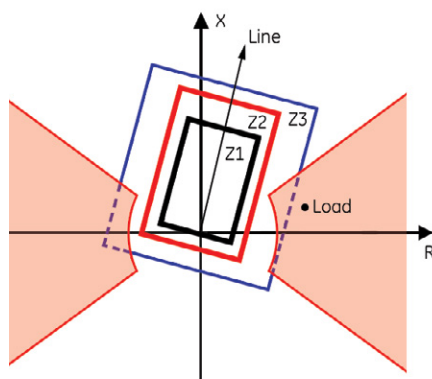
Z1 & Z3 looking through a transformer.

### In-Zone Transformer Compensation

Phase distance protection in the D60 can be used to detect faults through different types of three-phase wye/delta transformers, allowing the application of the D60 for backup protection on generators. VTs and CTs can be installed independently of each other on either side of the power transformer. The relay automatically compensates for transformer connections, to guarantee accurate reach for any type of fault.

### Load Encroachment

The load encroachment feature offers discrimination between line loading conditions and fault conditions, especially for long lines under heavy loads, by supervising the distance elements or any overcurrent element. This prevents unwanted tripping under heavy line load conditions and enables optimum operation of the line, while meeting regulatory requirements for line loading.



Distance relay quadrilateral characteristics supervised by the load encroachment function.

### Fault Locator

The integrated fault locator provides distance to fault in kilometers or miles. Parallel line zero-sequence current compensation and load current compensation enable the D60 to provide improved accuracy for fault distance measurement.

### Line Pickup (Switch-on-to Fault)

The line pickup feature uses a combination of undercurrent and undervoltage to identify a line that has been de-energized (line end open). Three instantaneous overcurrent elements are used to identify a previously de-energized line that has been closed on to a fault.

### Power Swing Detection

Dynamic transients in the power system, due to short-circuits, circuit switching, or load unbalance changes, can travel across the power network as power swings that are characterized by fluctuating currents and voltages. This can result in unwanted tripping since distance elements can respond to these power swings as faults. The D60 power swing detection element provides both power swing blocking and out-of-step tripping functions. The element measures the positive sequence apparent impedance and traces its locus with respect to either a two or three-step user-selectable mho or quad

operating characteristic. Negative sequence current supervisors provide extended selectivity for detecting evolving faults that may appear as a power swing event (faults with slow moving impedance locus).

### Series Compensated Lines

D60 provides enhanced stability and security by employing an adaptive distance reach control to cope with the overreaching and sub-synchronous oscillations when applied to, or in the vicinity of, series compensated lines. For directional integrity the relay uses memory voltage polarization and a multi-input comparator to deal with current inversion issues in series compensated lines.

### Single-Pole Tripping

The D60 relay uses an advanced phase selection algorithm that provides fast and accurate fault type identification even under weak in-feed conditions. A convenient trip function is built-in to coordinate actions of the key elements of the single-pole tripping package.

### Communication Aided (Pilot) Schemes

D60 supports different teleprotection functions for fast fault clearance for any faults within the protected line. The following types of pilot-aided schemes are available in the D60:

- Direct Underreach Transfer Trip (DUTT)
- Permissive Underreach Transfer Trip (PUTT)
- Two Permissive Overreach Transfer Trip (POTT)
- Hybrid Permissive Overreach Transfer Trip (HYB POTT): permissive echo and transient blocking logic incorporated
- Directional Comparison Blocking Scheme (DCB)
- Directional Comparison Unblocking Scheme (DCUB)
- Customizable version of the POTT and DCB schemes (POTT1 and DCB1)

### Undervoltage & Overvoltage Protection

Long lines under lightly loaded or no-load conditions may experience voltages exceeding the rated insulation voltage level. Use the three phase overvoltage elements in the D60 to detect and trip on this condition. A second compensated overvoltage element detects overvoltage caused by breakers opening at the remote end. The D60 also provides additional voltage functions, including neutral overvoltage, negative sequence overvoltage and phase undervoltage.

**Overcurrent Functions**

The D60 provides thermal overload, and time and instantaneous overcurrent elements for phase, neutral, ground, negative sequence, phase and neutral directional. All of them can run in parallel with distance elements or can be programmed to provide overcurrent protection under conditions when the distance element is blocked (example VT fuse failure).

**Autorecloser**

The D60 provides multi-shot autoreclosing (up to 4 shots) for single or three-pole autoreclose on all types of faults with independently programmable dead time for each shot. Autoreclosing can be dynamically blocked by user-programmable logic. Four different autoreclose operation modes are available, enabling users to select the reclosing mode to suit specific applications.

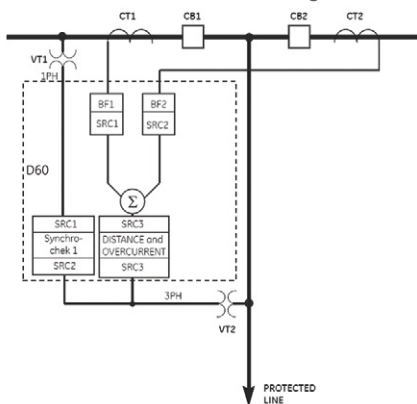
**Synchronism Check**

The D60 provides ten synchrocheck elements that monitor voltage difference, phase angle difference and slip frequency taking the CB closing time into account to ensure proper breaker closure as per user-defined settings. The D60 provides additional enhancements in synchronizing, by checking dead source conditions for synchronism bypass under these conditions.

**Multiple Breaker Configurations**

The D60 supports dual-breaker busbar configurations, such as breaker-and-a-half or ring bus arrangements, providing dual-breaker autoreclose, dual synchrocheck elements, and dual independent breaker failure elements. The design provides secure operation during external faults with possible CT saturation.

**D60 Breaker-and-a-Half Configuration**



*D60 supports breaker-and-a-half configuration. Two CTs can be brought in individually and summed off at each terminal.*

**Breaker Failure**

The D60 is able to provide fully independent breaker failure protection for the breakers associated to the line when connected to a substation with a breaker-and-a-half or ring bus arrangement. The D60 provides the elements to perform two independent breaker failure functions.

**IEC 61850 Process Bus**

The IEC 61850 Process Bus module is designed to interface with the Multilin HardFiber System, allowing bi-directional IEC 61850 fiber optic communications. The HardFiber System is designed to integrate seamlessly with existing UR applications, including protection functions, FlexLogic™, metering and communications.

The Multilin HardFiber System offers the following benefits:

- Communicates using open standard IEC 61850 messaging
- Drastically reduces P&C design, installation and testing labor by eliminating individual copper terminations
- Integrates with existing D60's by replacing traditional CT/VT inputs with the IEC 61850 Process Bus module
- Does not introduce new cyber security concerns

Visit the HardFiber System product page on the GE Digital Energy website for more details.

**Advanced Automation**

The D60 incorporates advanced automation features including powerful FlexLogic programmable logic, communication, and SCADA capabilities that far surpass what is found in the average line protection relay. The D60 integrates seamlessly with other UR relays for complete system protection, including unit and auxiliary transformers, and balance of plant protection.

**FlexLogic**

FlexLogic is the powerful UR-platform programming logic engine that provides the ability to create customized protection and control schemes, minimizing the need and associated costs of auxiliary components and wiring. With 1024 lines of FlexLogic, the D60 can be programmed to provide required tripping logic along with custom scheme logic for breaker control (including interlocking with external synchronizers), transfer tripping schemes for remote breakers and dynamic setting group changes.

**Scalable Hardware**

The D60 is available with a multitude of I/O configurations to suit the most demanding application needs. The expandable modular design allows for easy configuration and future upgrades.

- Flexible, modular high density I/O covering a broad range of input signals and tripping schemes
- Types of digital outputs include trip-rated Form-A and Solid State Relay (SSR) mechanically latching, and Form-C outputs
- RTDs and DCmA inputs are available to monitor equipment parameters, such as temperature and pressure

**Monitoring and Metering**

The D60 includes high accuracy metering and recording for all AC signals. Voltage, current, and power metering are built into the relay as a standard feature. Current and voltage parameters are available as total RMS magnitude, and as fundamental frequency magnitude and angle.

**Fault and Disturbance Recording**

The advanced disturbance and event recording features within the D60 can significantly reduce the time needed for postmortem analysis of power system events and the creation of regulatory reports. Recording functions include:

- Sequence of Event (SOE)
  - 1024 time stamped events
- Oscillography
  - Supports IEEE C37.111-1999/2013, IEC 60255-24 Ed 2.0 COMTRADE standard
  - 64 digital & up to 40 analog channels
  - Events with up to 45s length
- Data Logger and Disturbance Recording
  - 16 channels up to 1 sample/cycle/channel
- Fault Reports
  - Powerful summary report of pre-fault and fault values

The very high sampling rate and large amount of storage space available for data recording in the D60 can eliminate the need for installing costly stand-alone recording equipment.

**Advanced Device Health Diagnostics**

The D60 performs comprehensive device health diagnostic tests at startup and continuously during run-time to test its own major functions and critical hardware. These diagnostic tests monitor for conditions that could impact security and availability of protection, and present device status via SCADA communications and front panel display. Providing continuous monitoring and early detection of possible issues help improve system uptime.

- Comprehensive device health diagnostic performed at startup
- Monitors the CT/VT input circuitry to validate the integrity of all signals

## Cyber Security – CyberSentry UR

CyberSentry UR enabled UR devices deliver full cyber security features that help customers to comply with NERC CIP and NIST® IR 7628 cyber security requirements. This software option delivers the following core features:

### AAA Server Support (Radius/LDAP)

Enables integration with centrally managed authentication and accounting of all user activities and uses modern industry best practices and standards that meet and exceed NERC CIP requirements for authentication and password management.

### Role Based Access Control (RBAC)

Efficiently administrate users and roles within UR devices. The new and advanced access functions allow users to configure up to five roles for up to eight configurable users with independent passwords. The standard “Remote Authentication Dial In User Service” (Radius) is used for authentication.


### Event Recorder (Syslog for SEM)

Capture all cyber security related events within a SOE element (login, logout, invalid password attempts, remote/local access, user in session, settings change, FW update, etc), and then serve and classify data by security level using standard Syslog data format. This will enable integration with established SEM (Security Event Management) systems.

## Communications

The D60 provides for secure remote data and engineering access, making it easy and flexible to use and integrate into new and existing infrastructures. Fiber optic Ethernet provides high-bandwidth communications allowing for low-latency controls and high-speed file transfers of relay fault and event record information. The available three independent Ethernet ports, redundant Ethernet option and the embedded managed Ethernet switch provide the means to create fault tolerant communication architectures in an easy, cost-effective manner. The D60 supports the most popular industry standard protocols enabling easy, direct integration into monitoring and SCADA systems.

## Settings Security & Device Status Reports

SECURITY/CHANGE HISTORY REPORT										
										Generated at: Nov 20 2009 11:44:39
<b>Device Summary</b>										
Device Name:	Point Blank									
Device Type:	UR									
Order Code:	D60-H00-HCH-F8F-H8K-P4D-USA									
Firmware Version:	5.20									
Serial Number:	ABHC05000009									
IP Address:	3. 94.248.240									
										
<b>Settings Summary</b>										
Setting File Name:	D60_PointBlankFeeder_1_Version 480									
Last Changed:	Nov 11 2006 22:04:58.070966 via Ethernet									
Changed by Whom (MAC Address):	00166FB5EFE3									
<b>Setting Changes History</b>										
Event	Date of Change	# of Changes	Password Entered	Method of Change	Changed by Whom (MAC address)	Filename Uploaded	Rev	Status	Firm. Version	
46	11/11/09 11:48 PM	1	Yes	Ethernet	00166FB5EFE3	Point Blank F1 Setting	46	In Service	5.20	
45	11/11/09 10:59 PM	2	Yes	Ethernet	00166FB5EFE3	Point Blank F1 Setting	45	In Service	5.20	
44	11/11/09 10:51 PM	3	Yes	Ethernet	000000001DE	Point Blank F1 Setting	44	In Service	5.20	
43	11/11/09 10:04 PM	39	Yes	Ethernet	00166FB5EFE3	Point Blank F1 Setting	43	In Service	5.20	
42	11/08/09 07:46 PM	13	Yes	Ethernet	00166FB5EFE3	Point Blank F2 Setting	42	In Service	5.20	
41	10/24/09 09:17 AM	1	Yes	Keypad			41	In Service	5.20	
40	10/16/09 09:02 AM	49	Yes	Front Port	000F1FCBD808		40	In Service	5.20	
39	10/16/09 08:59 AM	0	Yes	Keypad			39	Out of Service	5.20	
38	10/12/09 06:02 PM	2	Yes	Keypad			38	In Service	5.20	
37	10/12/09 05:46 PM	5	Yes	Front Port	00166FB5EFE3		37	In Service	5.20	
										Page 1

Track changes of settings to your D60 & view health and operating status by generating a report with the click of a button.

- IEC 61850 Ed. 2 with 61850-9-2 and 61850-90-5 support
- DNP 3.0 (serial & TCP/IP)
- Ethernet Global Data (EGD)
- IEC 60870-5-103 and IEC 60870-5-104
- Modbus RTU, Modbus TCP/IP
- HTTP, TFTP, SFTP and MMS file transfer
- SNTP and IEEE 1588 for time synchronization
- PRP as per IEC 62439-3
- Supports Routable GOOSE (R-GOOSE)
- Multicast IEEE C37.118 synchrophasor data between PMU and PDC devices using IEC 91850-90-5
- R-GOOSE enable customer to send GOOSE messages beyond the substation, which enables WAPC and more cost effective communication architectures for wide area applications

### Interoperability with Embedded IEC 61850 Edition 2

The new IEC 61850 implementation in the UR Family positions GE as an industry leader in this standard.

- Implements Edition 2 of the standard across the entire family of UR devices
- Provides full relay setting management via standard SCL files (ICD, CID and IID)
- Enables automated relay setting management using 3rd party tools through standard file transfer services (MMS and SFTP)
- Increases the number of Logical Devices and data mapped to them, GOOSE messages from up to 64 remote devices, and reports to support different organizational needs for data transfer and reduce dependency on generic logical nodes
- Configures GE Systems based on IEC 61850 using universal 3rd party tools
- Direct I/O Messaging
- Direct I/O allows for the sharing of high-speed digital information between multiple UR relays via direct back-to-back connections or multiplexed through a standard DS0 multiplexer channel bank. Regardless of the connection method, direct I/O provides continuous real-time channel monitoring that supplies diagnostics information on channel health. Direct I/O provides superior relay-to-relay communications that can be used in advanced interlocking and other special protection schemes.
- Communication with up to 16 UR relays in single or redundant rings rather than strictly limited to simplistic point-to-point configurations between two devices
- Connect to standard DS0 channel banks through standard RS422, G.703 or IEEE C37.94 interfaces or via direct fiber optic connections
- No external or handheld tester required to provide channel diagnostic information

### LAN Redundancy

Substation LAN redundancy has been traditionally accomplished by reconfiguring the active network topology in case of failure. Regardless of the type of LAN architecture (tree, mesh, etc), reconfiguring the active LAN requires time to switchover, during which the LAN is unavailable. UR devices deliver redundancy as specified by PRP-IEC 62439-3, which eliminates the dependency on LAN reconfiguration and the associated switchover time. The UR becomes a dual attached node that transmits data packets over both main and redundant networks simultaneously, so in case of failure, one of the data packets will reach the receiving device with no time delay.

### Multi-Language

UR devices support multiple languages: English, French, Russian, Chinese, Turkish, German, Polish and Japanese. These language options are available on the front panel, in the EnerVista setup software, and in the product manuals. Easily switch between English and an additional language on the local displays without uploading new firmware.

### EnerVista Software

The EnerVista suite is an industry-leading set of software programs that simplifies every aspect of using the D60 relay. The EnerVista suite provides all the tools to monitor the status of the protected asset, maintain the relay, and integrate information measured by the D60 into DCS or SCADA monitoring systems. Convenient COMTRADE and SOE viewers are an integral part of the UR setup software included with every UR relay, to carry out postmortem event analysis and ensure proper protection system operation.

### EnerVista Launchpad

EnerVista Launchpad is a powerful software package that provides users with all of the setup and support tools needed for configuring and maintaining Multilin products. The setup software within Launchpad allows for the configuration of devices in real-time, by communicating using serial, Ethernet, or modem connections, or offline by creating setting files to be sent to devices at a later time. Included in Launchpad is a document archiving and management system that ensures critical documentation is up-to-date and available when needed. Documents made available include:

- Manuals
- Application Notes
- Guideform Specifications
- Brochures
- Wiring Diagrams
- FAQ's
- Service Bulletins

### Viewpoint Monitoring

Viewpoint Monitoring is a simple-to-use and full-featured monitoring and data recording software package for small systems. Viewpoint Monitoring provides a complete HMI package with the following functionality:

- Plug-&-Play Device Monitoring
- System Single-Line Monitoring & Control
- Annunciator Alarm Screens
- Trending Reports
- Automatic Event Retrieval
- Automatic Waveform Retrieval

## Power System Troubleshooting

The D60 contains many tools and reports that simplify and reduce the amount of time required for troubleshooting power system events.

The image displays several screenshots from the EnerVista software interface. On the left, a 'Phasors' window shows a table of channel parameters:

CHANNEL	UNIT	COLOR	GRAPH	MAGNITUDE	ANGLE
F1-A	0.10 A	A	Graph 1	0.10 A	-330.52 deg
F2-B	0.00 A	A	Graph 1	0.00 A	-314.25 deg
F3-C	0.00 A	A	Graph 1	0.00 A	-342.89 deg
F4-I0	0.51 A	A	Graph 1	-263.89 deg	
F5-VA	85488.08 V	V	Graph 1	0.00 deg	
F6-VB	82075.08 V	V	Graph 1	-119.90 deg	
F7-VC			None		

Below the table are various graphs including a phasor diagram and a 'Phase Distance' graph showing resistance (secondary Ohms) on the x-axis and reactance (secondary Ohms) on the y-axis. A 'Ground Distance' graph is also visible. A 'Power Swing Detect Graph' shows resistance (secondary Ohms) on the x-axis and reactance (secondary Ohms) on the y-axis. A central window displays an event log with columns for Event Number, Date-Time, Cause, and Data.

Analyze transmission line faults using system voltage, current and appropriate pickup flags that are measured & recorded up to 64 samples/cycle.

Record the operation of the internal D60 elements and external connected devices with 1ms time-stamped accuracy to identify the Sequence of Operation of station devices during faults and disturbances.

Graphically view zone settings for ground phase distance elements for the selected zones and the power swing detection element.

### Viewpoint UR Engineer

Viewpoint UR Engineer is a set of powerful tools that will allow the configuration and testing of GE relays at a system level in an easy-to-use graphical drag-and-drop environment. Viewpoint UR Engineer provides the following configuration and commissioning utilities:

- Graphical Logic Designer
- Graphical System Designer
- Graphical Logic Monitor
- Graphical System Monitor

### Viewpoint Maintenance

Viewpoint Maintenance provides tools that will create reports on the operating status of the relay, simplify the steps to download fault and event data, and reduce the work required for cyber security compliance audits. Tools available in Viewpoint Maintenance include:

- Settings Security Audit Report
- Device Health Report
- Single-Click Fault Data Retrieval

### EnerVista Integrator

EnerVista Integrator is a toolkit that allows seamless integration of Multilin devices into new or existing automation systems. Included in EnerVista Integrator is:

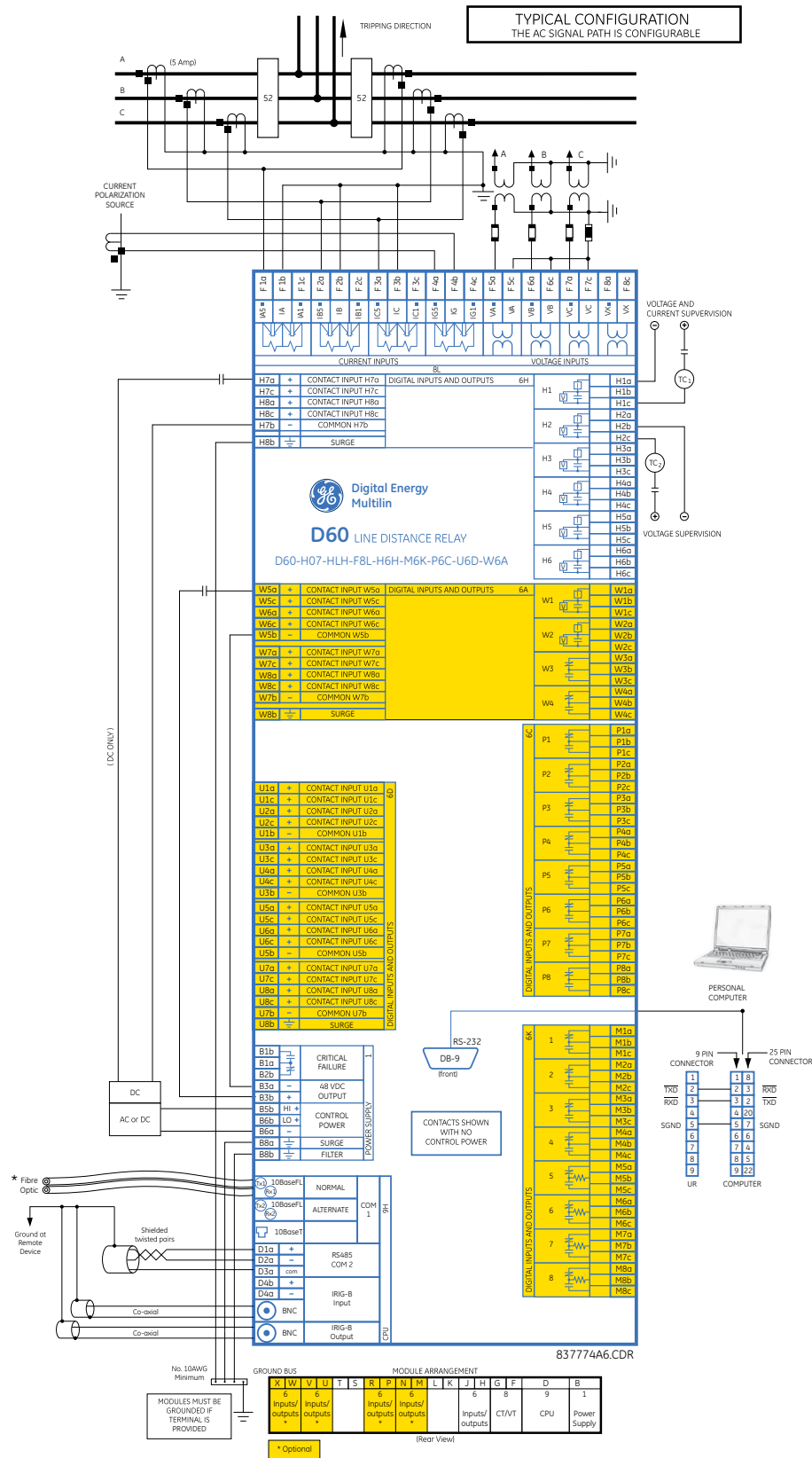
- OPC/DDE Server
- Multilin Drivers
- Automatic Event Retrieval
- Automatic Waveform Retrieval

### User Interface

The D60 front panel provides extensive local HMI capabilities. The local display is used for monitoring, status messaging, fault diagnosis, and device configuration. User-configurable messages that combine text with live data can be displayed when user-defined conditions are met.

A 7" color, graphic HMI is optionally available that allows users to have customizable bay diagrams with local monitoring of status, values and control functionality. The alarm annunciator panel provides the configuration of up to 96 signals (alarms and status) with full text description.

### Typical Wiring



This diagram is based on the following order code: **D60-H07-HLH-F8L-H6H-M6K-P6C-U6D-W6A**. This diagram provides an example of how the device is wired, not specifically how to wire the device. Please refer to the Instruction Manual for additional details on wiring based on various configurations.

# Ordering

	D60	-	*	**	-	H	*	*	-	F**	-	H**	-	M**	-	P**	-	U**	-	W**		For Full Sized Horizontal Mount
Base Unit CPU	D60	E	J	K	N	T	U	V	W													Base Unit RS485 & RS485 (IEC 61850 option not available) RS485 + multimode ST 100BaseFX RS485 + multimode ST Redundant 100BaseFX RS485 + 10/100 BaseT RS485 + three multimode SFP LC 100BaseFX. Req FW v7xx or higher RS485 + two multimode SFP LC 100BaseFX + one SFP RJ45 100BaseT. Req FW v7xx or higher RS485 + three SFP RJ45 100BaseT. Req FW v7xx or higher RS485 + two 100BaseFx Eth, Multimode ST + one 10/100BaseT Eth, RJ-45 <sup>1</sup>
Software Options <sup>1</sup>		00	02	03	05	06	07	08	09	A0	B0	C0	D0	M0								No Software Options Breaker and Half IEC 61850 Breaker and Half + IEC 61850 Phasor Measurement Unit (PMU) IEC 61850 + Phasor Measurement Unit (PMU) Breaker and Half + Phasor Measurement Unit (PMU) Breaker and Half + IEC 61850 + Phasor Measurement Unit (PMU) CyberSentry UR Lvl 1. Req UR FW 7.xx or higher IEEE 1588. Req UR FW 7.xx or higher PRP IEEE 1588 + CyberSentry. Req UR FW 7.xx or higher IEC 61850 + PMU + 61850-90-5
Mount		H	A	V	B																	Horizontal (19" rack) - Standard Horizontal (19" rack) - Harsh Chemical Environment Option Vertical (3/4 size) - Standard Vertical (3/4 size) - Harsh Chemical Environment Option
User Interface			E	F	I	J	K	L	M	N	O	T	U	V	W	Y	H	O	Z	X		7" Graphical display, USB front port & programmable pushbuttons - Multi-Language (FW 7.6x or higher) Vertical Front Panel with English Display Enhanced German Front Panel Enhanced German Front Panel with User-Programmable Pushbuttons Enhanced English Front Panel Enhanced English Front Panel with User-Programmable Pushbuttons Enhanced French Front Panel Enhanced French Front Panel with User-Programmable Pushbuttons Enhanced Russian Front Panel Enhanced Russian Front Panel with User-Programmable Pushbuttons Enhanced Chinese Front Panel Enhanced Chinese Front Panel with User-Programmable Pushbuttons Enhanced Turkish Front Panel Enhanced Turkish Front Panel with User-Programmable Pushbuttons Enhanced Polish Front Panel <sup>3</sup> Enhanced Polish Front Panel with User-Programmable Pushbuttons <sup>3</sup> Enhanced Japanese Front Panel <sup>3</sup> Enhanced Japanese Front Panel with User-Programmable Pushbuttons <sup>3</sup>
Power Supply <sup>2</sup>						H	H											RH				125/250 V AC/DC w/ redundant 125/250 V AC/DC power supply 125/250 V AC/DC
CT/VT DSP								8L	8M						8L							Standard 4CT/4VT w/ enhanced diagnostics Sensitive Ground 4CT/4VT w/ enhanced diagnostics
IEC 61850 Process Bus																						8 Port IEC 61850 Process Bus Module
Digital I/O																						No module 4 Solid State (No Monitoring) MOSFET Outputs 4 Solid State (Current w/opt Voltage) MOSFET Outputs 16 Digital Inputs with Auto-Burnish 14 Form-A (No Monitoring) Latchable Outputs 8 Form-A (No Monitoring) Outputs 8 Form-C Outputs 16 Digital Inputs 4 Form-C Outputs, 8 Digital Inputs 8 Fast Form-C Outputs 4 Form-C & 4 Fast Form-C Outputs 2 Form-A (Current w/ opt Voltage) & 2 Form-C Outputs, 8 Digital Inputs 2 Form-A (Current w/ opt Voltage) & 4 Form-C Outputs, 4 Digital Inputs 4 Form-A (Current w/ opt Voltage) Outputs, 8 Digital Inputs 6 Form-A (Current w/ opt Voltage) Outputs, 4 Digital Inputs 2 Form-A (No Monitoring) & 2 Form-C Outputs, 8 Digital Inputs 2 Form-A (No Monitoring) & 4 Form-C Outputs, 4 Digital Inputs 4 Form-A (No Monitoring) Outputs, 8 Digital Inputs 6 Form-A (No Monitoring) Outputs, 4 Digital Inputs 2 Form-A (Cur w/ opt Volt) 1 Form-C Output, 2 Latching Outputs, 8 Digital Inputs 30 Contact Inputs - Pin Terminals <sup>3</sup> 18 Form-A (No Monitoring) Outputs - Pin Terminals <sup>3</sup>
Transducer I/O																						4 dcmA Inputs, 4 dcmA Outputs 8 dcmA Inputs
Inter-Relay Communications																						C37.94SM, 1300nm singlemode, ELED, 2 Channel singlemode Channel 1 - IEEE C37.94, 820nm, multimode fiber, 64/128 kbps; Channel 2 - 1300 nm, singlemode, LASER Channel 1 - IEEE C37.94, 820nm, multimode fiber, 64/128 kbps; Channel 2 - 1550 nm, singlemode, LASER 7A 820 nm, multimode, LED, 1 Channel 7B 1300 nm, multimode, LED, 1 Channel 7C 1300 nm, singlemode, ELED, 1 Channel 7H 820 nm, multimode, LED, 2 Channels 7I 1300 nm, multimode, LED, 2 Channels 7J 1300 nm, singlemode, ELED, 2 Channels 7S G.703, 2 Channels 7W RS422, 2 Channels 73 1550 nm, singlemode, LASER, 2 Channels 77 IEEE C37.94, 820 nm, multimode, LED, 2 Channel

### Ordering Notes:

- To view all the options available for D60, please visit GE's Online Store <http://store.dgedigitalenergy.com/viewprod.asp?model=D60>
- Redundant power supply only available in horizontal unit. If redundant is chosen, must be same type. Maximum 2 per chassis.
- Option available soon

## GEGridSolutions.com

IEC is a registered trademark of Commission Electrotechnique Internationale. IEEE is a registered trademark of the Institute of Electrical Electronics Engineers, Inc. Modbus is a registered trademark of Schneider Automation. NERC is a registered trademark of North American Electric Reliability Council. NIST is a registered trademark of the National Institute of Standards and Technology.

GE, the GE monogram, Multilin, FlexLogic, EnerVista and CyberSentry are trademarks of General Electric Company.

GE reserves the right to make changes to specifications of products described at any time without notice and without obligation to notify any person of such changes.

Copyright 2017, General Electric Company.



imagination at work

GEA-12592(E)  
English  
170628