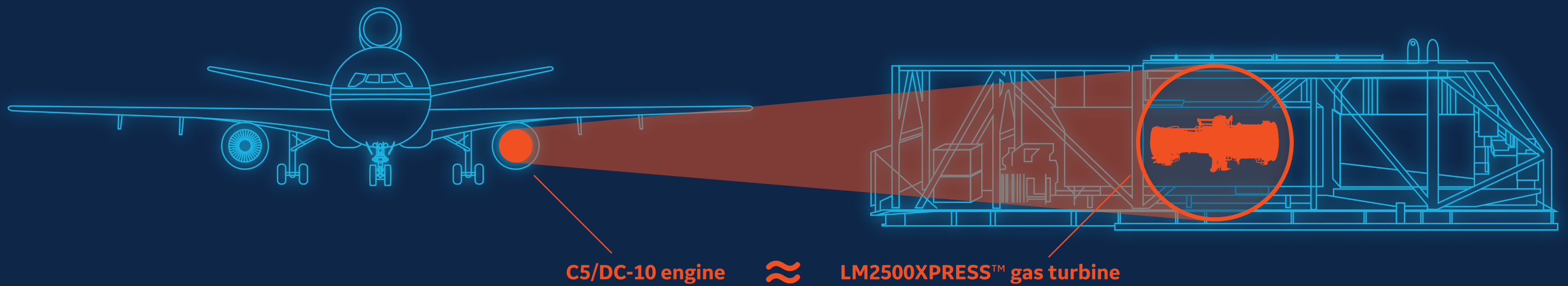




The LM2500XPRESS™: Big power in a small package

Operating at the speed of flight

GE's aeroderivative gas turbines are highly available, flexible and reliable because they were originally engineered for airplanes, with the ability to achieve multiple starts per day.



 **34 MW**
Net output

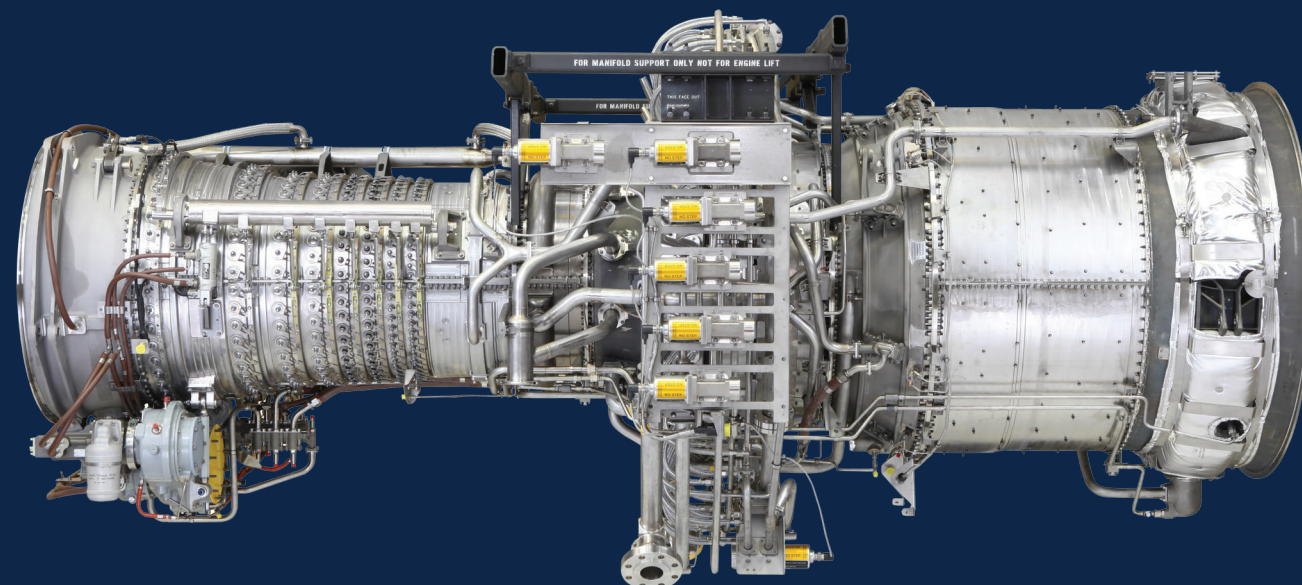
 Up to **38.5%**
Efficiency

 **5 min.**
Start time

 **99.5%/98.7%**
Reliability/availability

95%

Assembled in the factory



10

Simplified modules for easy install